



SMITH
FLUID
CONTROLS®

JAY R. SMITH MFG. CO.®
MEMBER OF MORRIS GROUP INTERNATIONAL
POST OFFICE BOX 3237
MONTGOMERY, ALABAMA 36109-0237 (USA)
TEL: 334-277-8520 FAX: 888-377-7818 www.jrsmith.com

LOCATION

AIR GAP FITTINGS

C
DRAWING NUMBER **S280, 281-T, 281-S**
SIZE **A**
SCALE: **NONE**
DATE: **1-14-19**
APPROVED BY: **JM**
CHECKED BY: **JM**
DRAWN BY: **TBW**
280, 281-T, 281-S

WE CAN ASSUME NO RESPONSIBILITY FOR USE OF SUPERSEDED OR VOID DATA
DIMENSIONS ARE SUBJECT TO MANUFACTURERS TOLERANCE AND CHANGE WITHOUT NOTICE

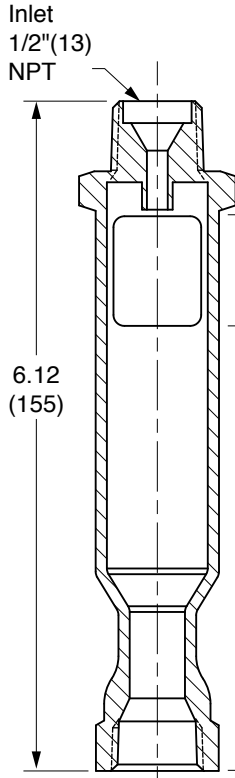


Fig. 280 1/2" NPT Threaded Outlet

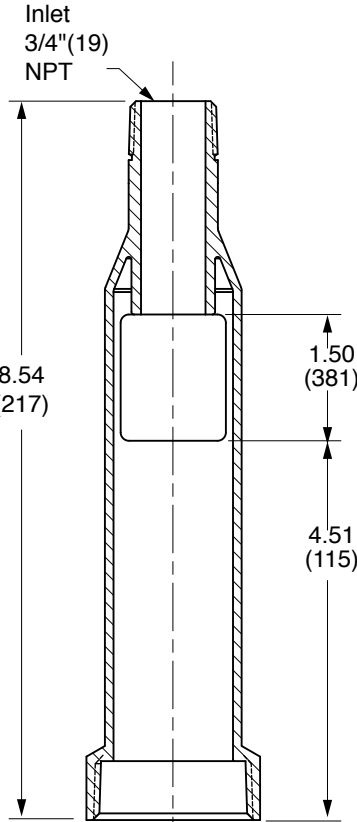


Fig. 281-T 1 1/2" NPT Threaded Outlet

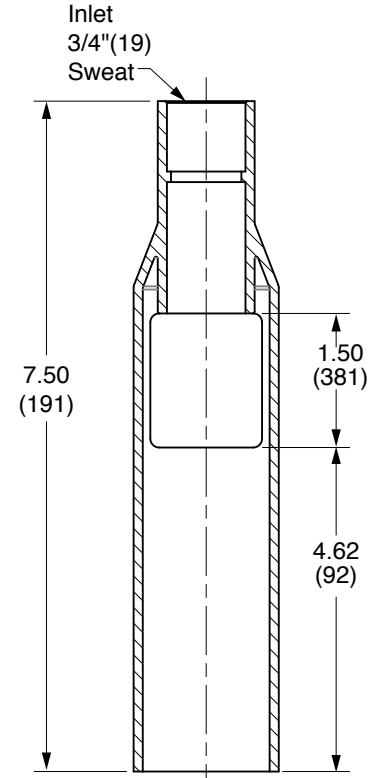


Fig. 281-S 1 1/2" Sweat Outlet

REGULARLY FURNISHED:
Cast Lead Free Brass.

OPTIONAL MATERIALS:
 Nickel Plated Brass -NP

NOTES:

1. Install per the requirements of the local plumbing code.
2. Dimensions shown in parentheses are in millimeters.

Conforms to
ASME A112.1.2

REV.	C	05-29-2020	Revised Optional Materials	MW	CL	WEIGHT POUNDS	VOLUME CUBIC FEET	FIGURE NUMBER
	B	03-27-2020	Added Conformity; Moved Notes	MW	CL			
	A	01-31-2020	Rev. Drawing Dimen. & Options	MW	CL			
	DATE	DESCRIPTION	BY	CKD. BY	280, 281-T, 281-S			



WARNING: Cancer and Reproductive Harm - www.P65Warnings.ca.gov