



SMITH
FLUID
CONTROLS®

JAY R. SMITH MFG. CO.®
MEMBER OF MORRIS GROUP INTERNATIONAL
POST OFFICE BOX 3237
MONTGOMERY, ALABAMA 36109-0237 (USA)
TEL: 334-277-8520 FAX: 888-377-7818 www.jrsmith.com

LOCATION

TRAP PRIMING ADAPTERS

D

DRAWING NUMBER
S276 Series

SIZE
A

SCALE:
NONE

DATE:
6-18-19

APPROVED BY:
JM

CHECKED BY:
JM

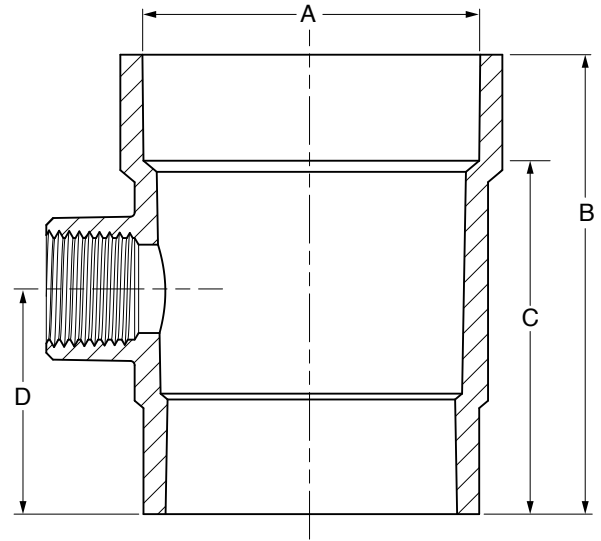
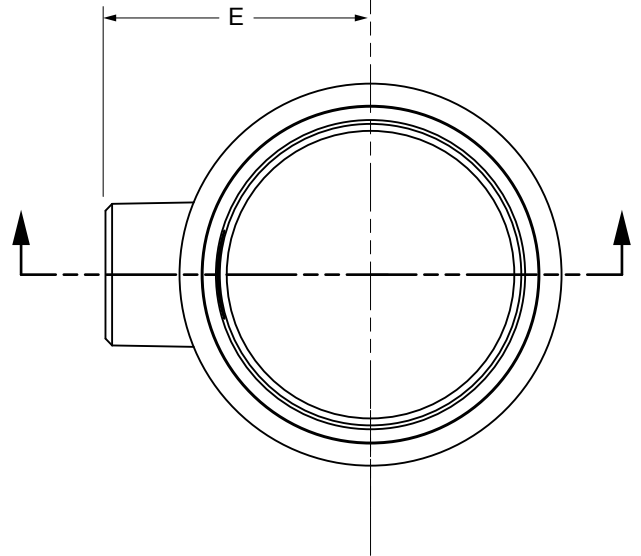
DRAWN BY:
TBW

276 Series

FIGURE NUMBER

WE CAN ASSUME NO RESPONSIBILITY FOR USE OF SUPERSEDED OR VOID DATA

DIMENSIONS ARE SUBJECT TO MANUFACTURERS TOLERANCE AND CHANGE WITHOUT NOTICE



	ABS	PIPE SIZE	TRAP PRIMER CONNECTION
	276-2A	2(50)	1/2"(13) NPT FEMALE
	276-3A	3(75)	1/2"(13) NPT FEMALE
	276-4A	4(100)	1/2"(13) NPT FEMALE
	276-2A5	2(50)	1/2"(13) OD COMPRESSION
	276-3A5	3(75)	1/2"(13) OD COMPRESSION
	276-4A5	4(100)	1/2"(13) OD COMPRESSION
	276-2A6	2(50)	5/8"(16) OD COMPRESSION
	276-3A6	3(75)	5/8"(16) OD COMPRESSION
	276-4A6	4(100)	5/8"(16) OD COMPRESSION
	276-2A6-CTS	2(50)	5/8"(16) OD PUSH-IN
	276-3A6-CTS	3(75)	5/8"(16) OD PUSH-IN
	276-4A6-CTS	4(100)	5/8"(16) OD PUSH-IN

	PVC	PIPE SIZE	TRAP PRIMER CONNECTION
	276-2P	2(50)	1/2"(13) NPT FEMALE
	276-3P	3(75)	1/2"(13) NPT FEMALE
	276-4P	4(100)	1/2"(13) NPT FEMALE
	276-2P5	2(50)	1/2"(13) OD COMPRESSION
	276-3P5	3(75)	1/2"(13) OD COMPRESSION
	276-4P5	4(100)	1/2"(13) OD COMPRESSION
	276-2P6	2(50)	5/8"(16) OD COMPRESSION
	276-3P6	3(75)	5/8"(16) OD COMPRESSION
	276-4P6	4(100)	5/8"(16) OD COMPRESSION
	276-2P6-CTS	2(50)	5/8"(16) OD PUSH-IN
	276-3P6-CTS	3(75)	5/8"(16) OD PUSH-IN
	276-4P6-CTS	4(100)	5/8"(16) OD PUSH-IN

A PIPE SIZE	B	C	D	E
2.00(50) (2.38 DIA)	3.25(83)	2.50(64)	1.59(40)	1.88(48)
3.00(75) (3.50 DIA)	5.00(127)	3.44(87)	2.44(62)	2.44(62)
4.00(100) (4.50 DIA)	5.75(146)	4.00(100)	2.88(73)	2.88(73)

REGULARLY FURNISHED: Sch. 40 ABS or PVC Trap Primer Adapter Fitting as selected. Provides a 360° adjustment prior to permanent installation.



FILE 12603

NOTE: Dimensions shown in parentheses are in millimeters.

REV.	DATE	DESCRIPTION	BY	CKD. BY
D	8-12-20	Added UPC Conformity	MW	CL
C	2-19-20	Removed Variations	MW	CL
B	2-19-20	Del. Draw., Rev. ABS/PVC Tables	MW	CL
A	11-1-19	Revised Reg. Furn., Added Var.	TBW	DP

WEIGHT POUNDS	VOLUME CUBIC FEET

FIGURE NUMBER
276 Series