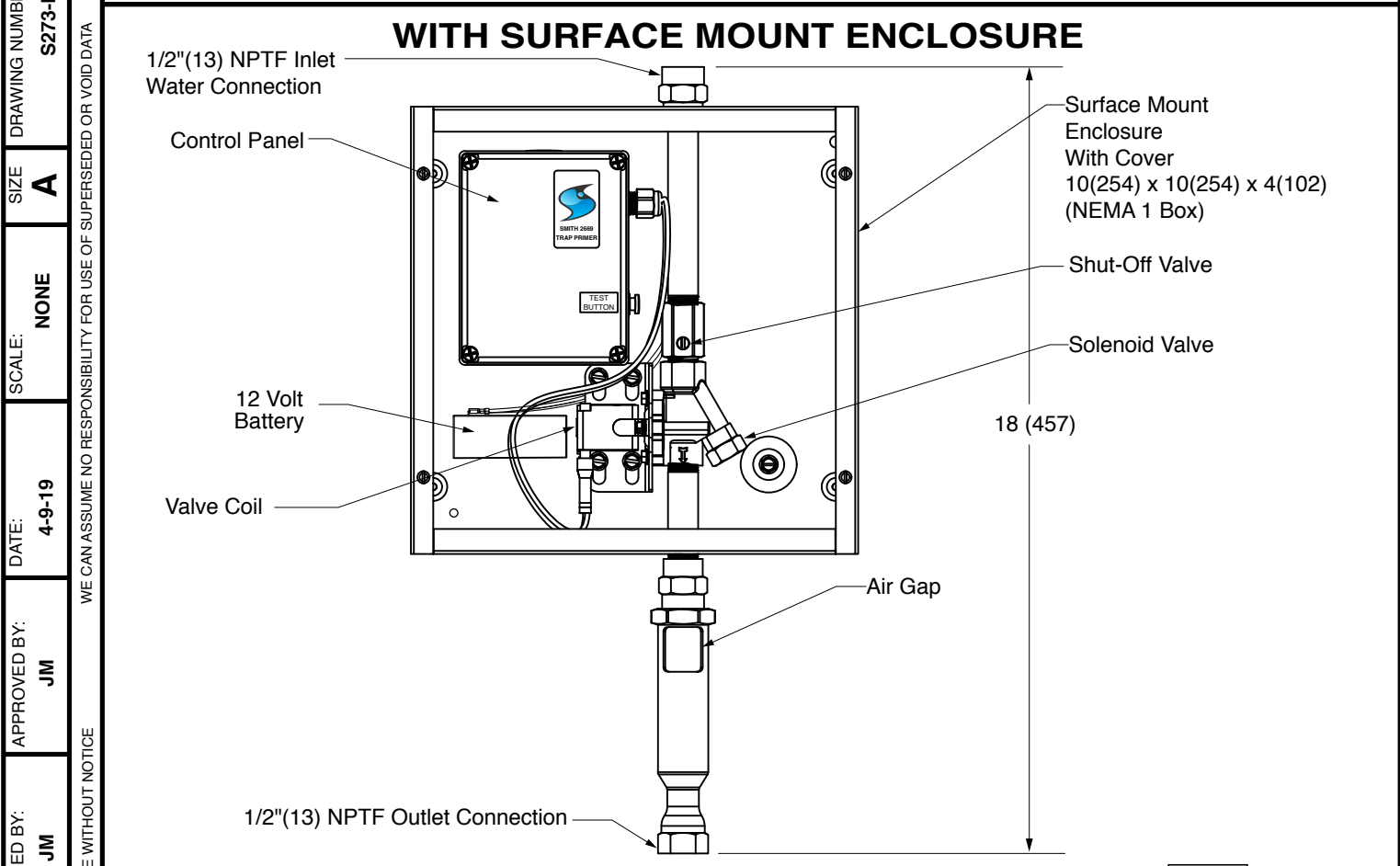


# ELECTRONIC TRAP PRIMING DEVICE



DRAWING NUMBER: S273-B-12V  
 SIZE: A  
 SCALE: NONE  
 DATE: 4-9-19  
 APPROVED BY: JM  
 CHECKED BY: JM  
 DRAWN BY: TBW

WE CAN ASSUME NO RESPONSIBILITY FOR USE OF SUPERSEDED OR VOID DATA


DIMENSIONS ARE SUBJECT TO MANUFACTURERS TOLERANCE AND CHANGE WITHOUT NOTICE

**REGULARLY FURNISHED:**  
 A surface mount, Floor Drain Trap Priming Device consisting of an Enclosure with Cover, a Solenoid Valve, a Bronze Air Gap, a 12V Battery Pack and a Timer (factory preset to discharge once per twenty-four-hour period). This device has provisions to interface with a low voltage Building Management System (BMS) where applicable.

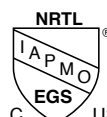
**WORKING PRESSURE:**  
 • 20 PSI (138kPa) to 100 PSI (689 kPa)

- NOTES:**
- All wiring must follow and be in accordance with National, State and Local Electrical Codes.
  - The trap primer valve must be installed a minimum of 12”(305) above flood level of device being served. Must have a minimum of 12”(305) from bottom of outlet before a 90° elbow can be used. Allow one foot of elevation for every 20 feet of distance ran for floor drain make up line. The makeup line from trap primer to the floor drain must have continuous slope.
  - The furthest recommended distance from the trap primer to the floor drain is 20’(6m).
  - Dimensions shown in parentheses are millimeters unless otherwise specified.
  - Unit must be installed plumb and level and be accessible.

**DISTRIBUTION UNITS:**  
 See Fig. 2694DA or Fig. 2683



**FILE 3253**



**UL 1951**  
**CSA C22.2 NO 68**  
**CSA C22.2 NO 14**  
**FILE E10084**



FIGURE NUMBER	<b>273-B-12V</b>	N M L	2-14-22 1-20-22 12-15-20	Edited battery drawing Removed "Replace Battery Annu." Revised Reg. Furn./Callout	KK KK TBW	CL CL CL	WEIGHT POUNDS	VOLUME CUBIC FEET	FIGURE NUMBER <b>273-B-12V</b>
REV.	DATE	DESCRIPTION			BY	CKD. BY			