



SMITH  
**FLUID**  
CONTROLS®

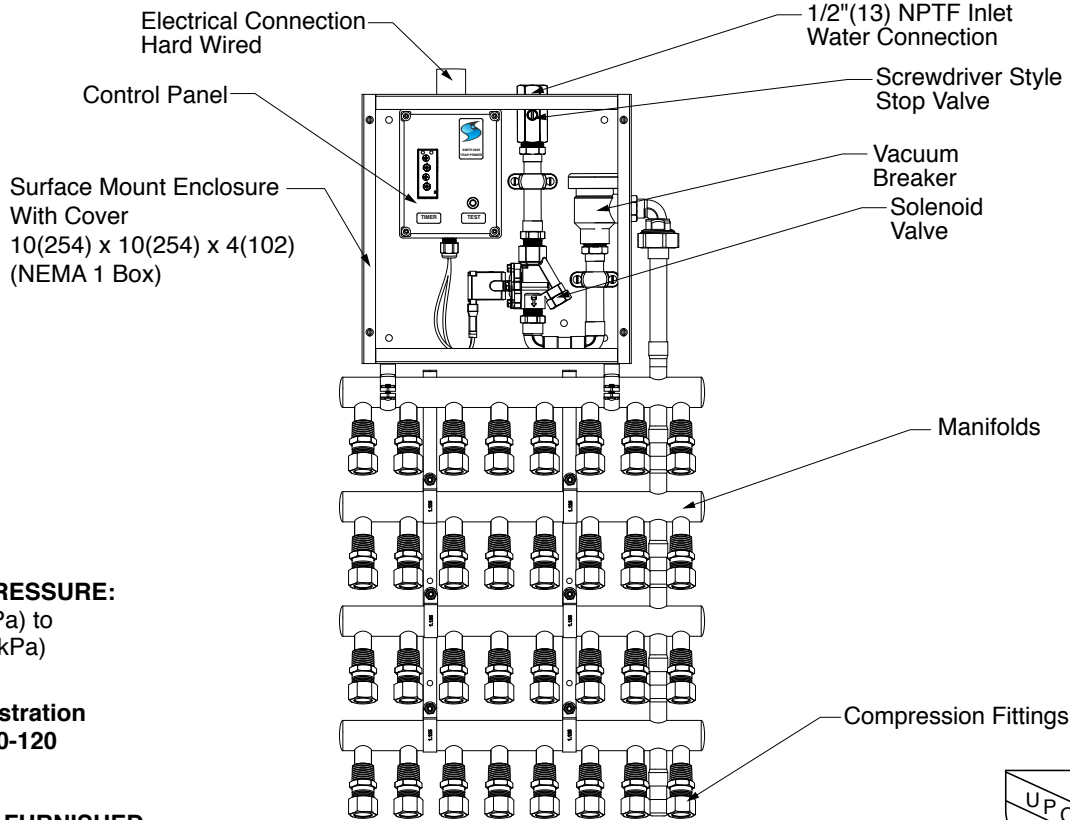
JAY R.  
SMITH MFG. CO.®

MEMBER OF MORRIS GROUP INTERNATIONAL  
POST OFFICE BOX 3237  
MONTGOMERY, ALABAMA 36109-0237 (USA)  
TEL: 334-277-8520 FAX: 888-377-7818 www.jrsmith.com

LOCATION

# ELECTRONIC TRAP PRIMING DEVICE

## WITH SURFACE MOUNT ENCLOSURE



**WORKING PRESSURE:**

20 PSI (138kPa) to  
100 PSI (689 kPa)

Shown in Illustration  
272SM-32-500-120

**REGULARLY FURNISHED:**

A Surface Mount, Floor Drain Trap Priming Device consisting of Enclosure with Cover, a Solenoid Valve, Vacuum Breaker, a Timer (factory preset to discharge once per twenty-four-hour period) and a Manifold with multiple, Compression Discharge Ports (specify number of outlets) allowing the unit to serve multiple floor drain traps. This device is supplied with hardwired type electrical connections and has provisions to interface with a Building Management System (BMS) where applicable.

**SPECIFY AC VOLTAGE: HARDWIRED**

- 24V -024
- 120V -120
- 240V -240

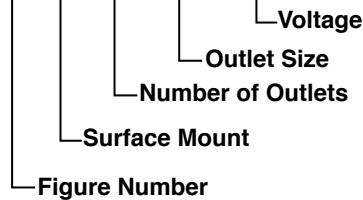
**SPECIFY NUMBER OF OUTLETS:**

- 26  28  30  32

**NOTES:**

- All wiring must follow and be in accordance with National, State and Local Electrical Codes.
- The outlet of the trap primer valve shall be a minimum of 12"(305) above the finished floor before a 90° elbow can be installed. See Installation Instructions.
- Dimensions shown in parentheses are millimeters unless otherwise specified.
- Unit must be installed level and be accessible.

**272SM-XX-XXX-XXX**



**SPECIFY OUTLET TYPES:**

- 1/2"(13) OD Compression Fittings -50
- 5/8"(16) OD Compression Fittings -62

**VARIATIONS:**

- Vandal Proof Cover Screws -U
- Interface with Facilities Energy Management System -EMS



FILE 3253



UL 1951  
CSA C22.2 NO 68  
CSA C22.2 NO 14  
FILE E10084



STD. 1044

DRAWING NUMBER  
S272SM SERIES

SIZE  
A

SCALE:  
NONE

DATE:  
6-4-19

APPROVED BY:  
JM

CHECKED BY:  
JM

DRAWN BY:  
TBW

272SM SERIES

FIGURE NUMBER

WE CAN ASSUME NO RESPONSIBILITY FOR USE OF SUPERSEDED OR VOID DATA

DIMENSIONS ARE SUBJECT TO MANUFACTURERS TOLERANCE AND CHANGE WITHOUT NOTICE

G	12-15-20	Revised Reg. Furn./Callout	TBW	CL	WEIGHT	VOLUME	FIGURE NUMBER
F	4-29-20	Revised ASSE/UPC Conformities	MW	CL	POUNDS	CUBIC FEET	<b>272SM SERIES</b>
E	4-23-20	Added UPC	MW	CL			
D	2-28-20	Added IAPMO EGS Conformity	MW	CL			
REV.	DATE	DESCRIPTION	BY	CKD. BY			



**WARNING:** Cancer and Reproductive Harm - www.P65Warnings.ca.gov