

# PRESSURE DROP ACTIVATED TRAP SEAL PRIMER

## TRAP-DEFENDER™

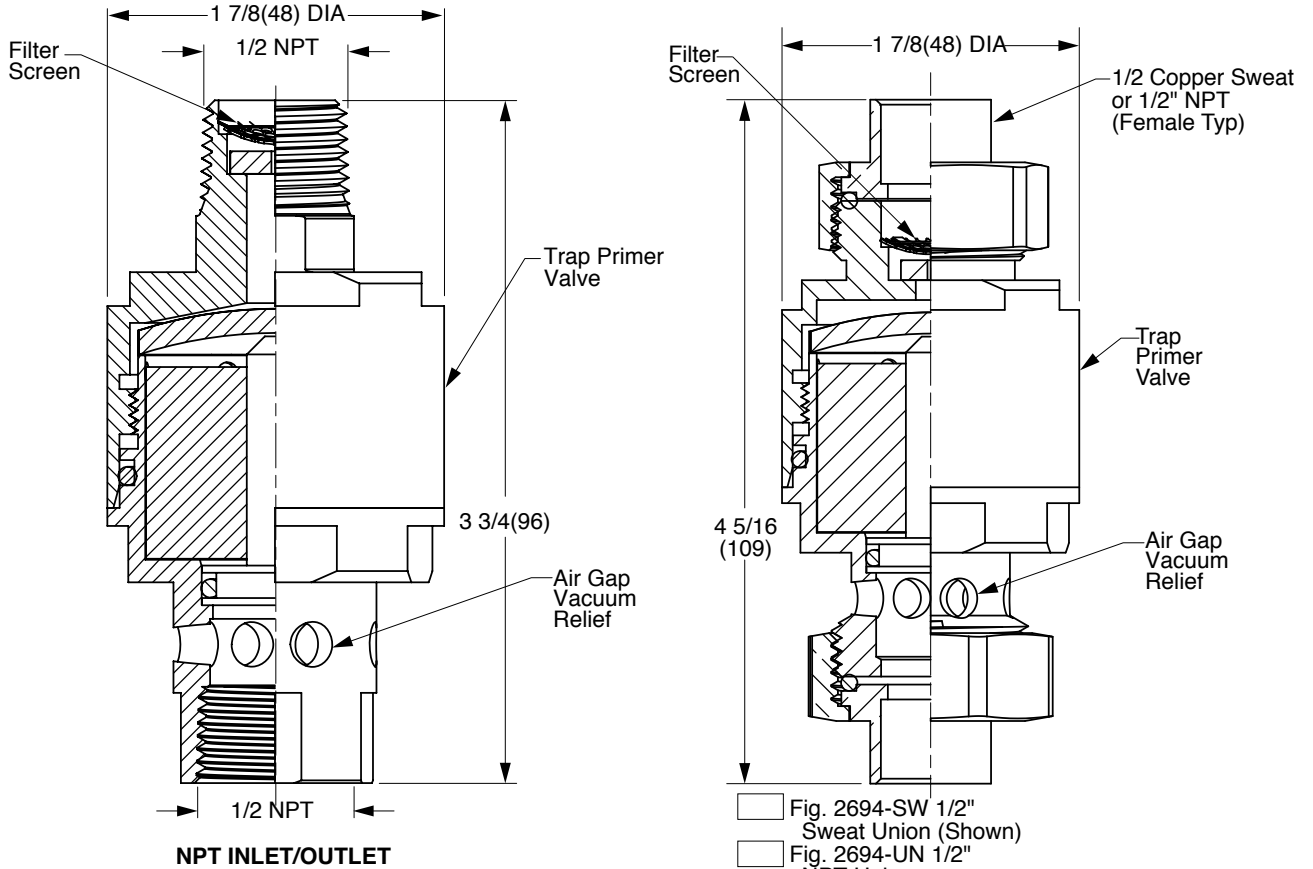


Fig. 2694-SW 1/2" Sweat Union (Shown)  
 Fig. 2694-UN 1/2" NPT Union  
**NPT INLET/OUTLET OR 1/2" COPPER SWEAT UNION**

**REGULARLY FURNISHED:**  
 Lead Free Brass with 1/2" NPT Connections as illustrated.

**DISTRIBUTION UNITS**  
 (See Submittals)  
 Fig. 2694DA  
 Fig. 2683

**OPTIONAL MATERIALS:**  
 Nickel Plated -NP

**NOTES:**

- Minimum Pressure Drop 3 PSI - Reacts to positive or negative changes in water pressure
- Operating Pressure Range 20-80 PSIG (138-552 kPa)
- The Trap Seal Primer must be installed on a cold water line of 1/2"(13)-1 1/2"(38) pipe size.
- Solder Sweat Connections while Disassembled to Prevent Elastomer Damage
- Dimensions shown in parentheses are in millimeters.
- Assembled & Tested in the USA



ASSE 1018 LISTED  
 SEAL NO. 143



File 3437  
 ASSE 1018  
 CSA B125.3

**COMPLIES with LEAD PLUMBING LAW**  
 "CERTIFIED by IAPMO R & T"  
 FILE NO. 8477  
 (NSF/ANSI 372)

**CAUTION: MUST BE LOCATED IN AN ACCESSIBLE LOCATION.**

**The 2694 should not be subjected to continuous, large pressure fluctuations from pumps or other equipment that can cause such fluctuations.**

**PATENT NO. 9,708,808  
 10,190,306**

DRAWING NUMBER  
 s2694

SIZE  
 A

SCALE:  
 NONE

DATE:  
 3-1-17

APPROVED BY:  
 AS

CHECKED BY:  
 AS

DRAWN BY:  
 TBW

FIGURE NUMBER  
**2694**

DIMENSIONS ARE SUBJECT TO MANUFACTURERS TOLERANCE AND CHANGE WITHOUT NOTICE WE CAN ASSUME NO RESPONSIBILITY FOR USE OF SUPERSEDED OR VOID DATA

L	11-11-21	Added Reference Notes	KK	JM	WEIGHT	VOLUME	FIGURE NUMBER
K	7-31-2020	Revised Notes	MW	CL	POUNDS	CUBIC FEET	<b>2694</b>
J	5-29-2020	Revised Optional Materials	MW	CL			
H	2-24-2020	Revised Notes	MW	CL			
REV.	DATE	DESCRIPTION	BY	CKD. BY			



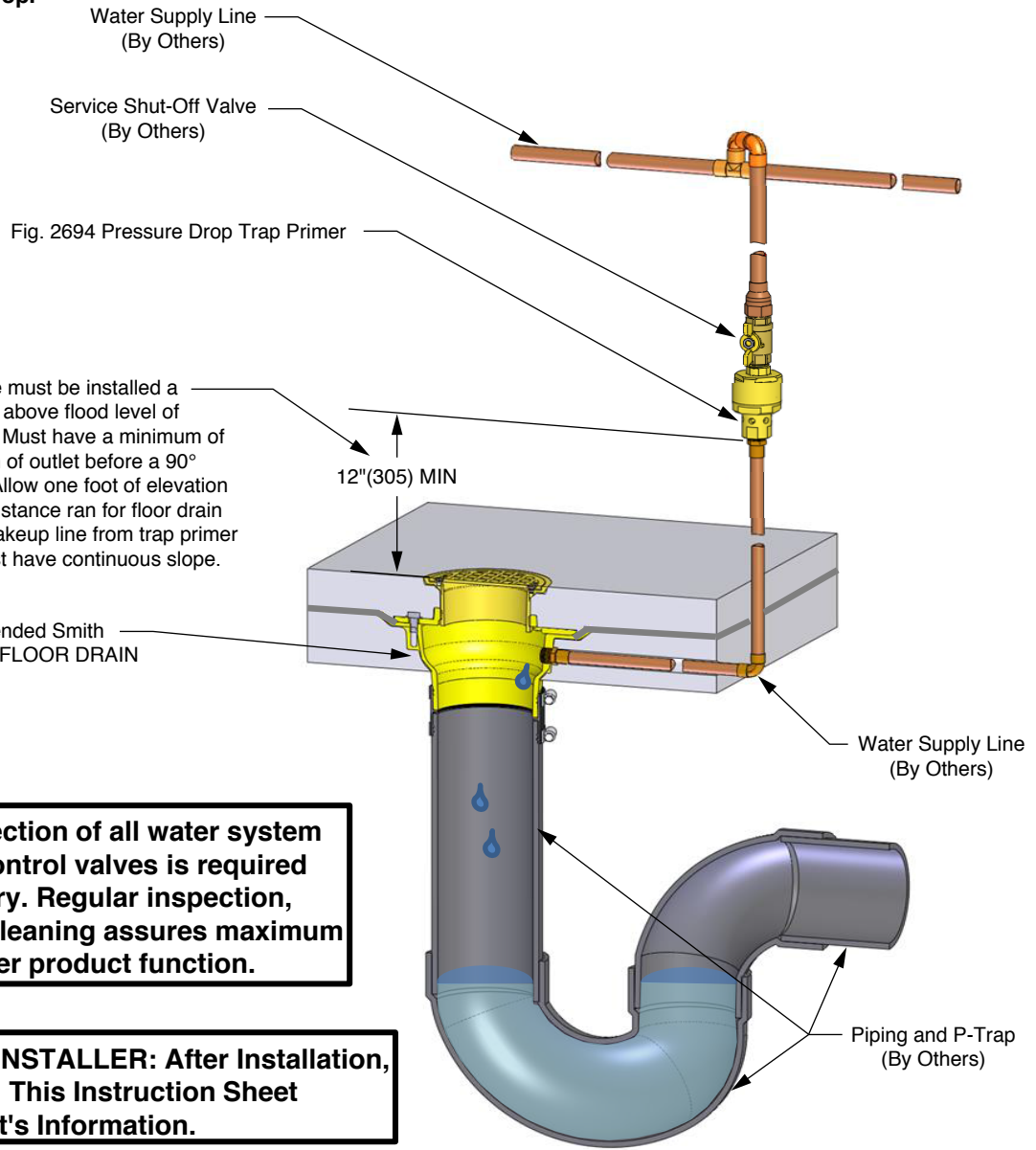
SMITH  
**FLUID**  
CONTROLS®

**JAY R. SMITH MFG. CO.®**  
MEMBER OF MORRIS GROUP INTERNATIONAL  
POST OFFICE BOX 3237  
MONTGOMERY, ALABAMA 36109-0237 (USA)  
TEL: 334-277-8520 FAX: 888-377-7818 www.jrsmith.com

LOCATION

# INSTALLATION INSTRUCTIONS

The Fig. 2694 Trap Primer should be connected to a 1/2(13) - 1 1/2"(38) pipe size cold water line only. Do not install on a cold water line serving a drinking fountain only. These devices should be installed in the vertical position, as shown, connected to a tee on the supply line leading to a frequently used fixture or at the end of a supply line and should be accessible for servicing. Before installing Fig. 2694, it is mandatory to flush out the line to remove dirt and scale that may foul trap primer internals. The trap primer valve must be installed a minimum of 12"(305) above flood level of device being served. Must have a minimum of 12"(305) from bottom of outlet before a 90° elbow can be used. Allow one foot of elevation for every 20 feet of distance ran for floor drain make up line. The makeup line from trap primer to the floor drain trap must have continuous slope. Note flow arrow direction on the trap primer label. Maximum supply pressure 80 psi. Note: A 3 psi (34 kPa) pressure drop across the valve is required to activate delivery of a metered amount of water to the floor drain trap. For supply, pressures below 20 psi or above 80 psi consult factory. The Minimum discharge rate is 0.10 mL Per Pressure Drop.



The trap primer valve must be installed a minimum of 12"(305) above flood level of device being served. Must have a minimum of 12"(305) from bottom of outlet before a 90° elbow can be used. Allow one foot of elevation for every 20 feet of distance ran for floor drain make up line. The makeup line from trap primer to the floor drain must have continuous slope.

**Annual inspection of all water system safety and control valves is required and necessary. Regular inspection, testing and cleaning assures maximum life and proper product function.**

**ATTENTION INSTALLER: After Installation, Please Leave This Instruction Sheet For Occupant's Information.**

DRAWING NUMBER  
**S2694BS**

SIZE  
**A**

SCALE:  
**NONE**

DATE:  
**5-15-18**

APPROVED BY:  
**AS**

CHECKED BY:  
**AS**

DRAWN BY:  
**TBW**

**2694BS**

FIGURE NUMBER

WE CAN ASSUME NO RESPONSIBILITY FOR USE OF SUPERSEDED OR VOID DATA

DIMENSIONS ARE SUBJECT TO MANUFACTURERS TOLERANCE AND CHANGE WITHOUT NOTICE

C	7-31-20	Revised Instructions	MW	CL	WEIGHT POUNDS	VOLUME CUBIC FEET	FIGURE NUMBER <b>2694BS</b>
B	3-9-20	Revised Instructions, Dimen.	MW	CL			
A	2-24-20	Removed ASSE Code	MW	CL			
REV.	DATE	DESCRIPTION	BY	CKD. BY			