

D

**SMITH® JAY R. SMITH MFG. CO.®**  
 MEMBER OF MORRIS GROUP INTERNATIONAL  
 POST OFFICE BOX 3237  
 MONTGOMERY, ALABAMA 36109-0237 (USA)  
 TEL: 334-277-8520 FAX: 888-377-7818 www.jrsmith.com



LOCATION

DRAWING NUMBER  
S2231

SIZE  
A

SCALE:  
NONE

DATE:  
1-18-96

APPROVED BY:  
BS

CHECKED BY:  
WMS

DRAWN BY:  
CMD

2231

WE CAN ASSUME NO RESPONSIBILITY FOR USE OF SUPERSEDED OR VOID DATA

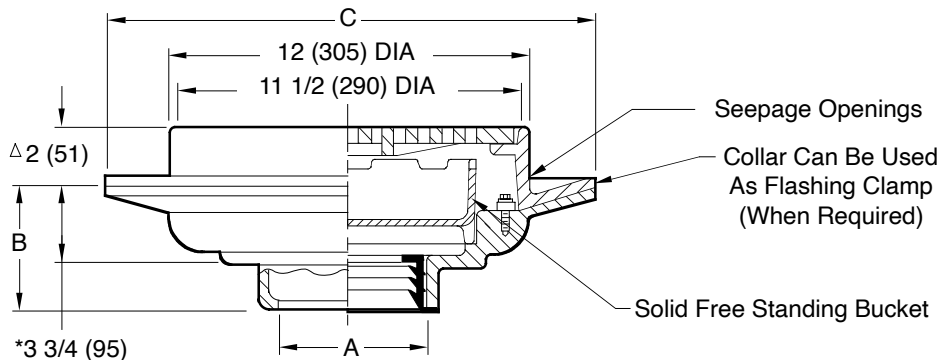
DIMENSIONS ARE SUBJECT TO MANUFACTURERS TOLERANCE AND CHANGE WITHOUT NOTICE

## FLOOR DRAIN WITH 12" (305) ROUND TOP AND SEDIMENT BUCKET

### MEDIUM DUTY DRAIN

Load Rating: Medium Duty having a Safe Live (Static) Load between 2,000 lbs. (900 kg) and 4,999 lbs. (2,250 kg) per ASME A112.6.3 Floor Drain Standard. For the specific Safe Live Load rating of any grate, contact the Smith representative or factory direct.

Free Area  
28.5 SQ IN  
(184) SQ CM



A (Pipe Size) = 02(50), 03(75), 04(100), 05(125), 06(150), or 08(200)

■  Fig. 2231C . . SHALLOW BODY CAULK OUTLET

Pipe Size	B			C DIA
	Caulk	Thread	NO-HUB	
02(50) -06(150)	5 (125)	3 3/4 (95)	5 (125)	15 1/4 (390)
08(200)	6 (150)	5 (125)	6 (150)	16 (405)

**REGULARLY FURNISHED:**  
 Duco Cast Iron Body and Flashing Collar with Cast Iron Bar Grate and Solid Free Standing Bucket.

\*This Dimension to Internal Stop of Speedi-Set Gasket.  
 ΔAdd 3/8" (10) when hinged top is specified.  
 ΔAdd 1/8" (3) when bronze top is specified.  
 ■ Meets U. S. Gov't Spec. WW-P-541-b. Type 220 04" (100) size only.

**VARIATIONS:**

- Deflector Grate -DG
- Dome Grate -D
- Flat Bottom Strainer -FBS
- Hinged Grate -H
- L Speedi-Set Service Weight 2(50), 3(80) & 4"(100) sizes only
- LXH Speedi-Set Extra Heavy 2(50), 3(80) & 4"(100) sizes only
- NO-HUB Adaptor (Specify Fig. 2646Y)
- Solid Scoriated Cover -SC
- Square Top -S
- Trap Primer Connection -P050 1/2" (13) & -P075 3/4" (19)
- Vandal Proof Grate -U
- Wide Flange Deck Drain (Specify Fig. DX2566)
- T Threaded Outlet
- Quad Close Trap Seal (Specify Fig. 2692)

**OPTIONAL MATERIALS:**

- Ductile Iron Grate -M
- Galvanized Cast Iron -G
- Nickel Bronze Top -NB
- Polished Bronze Top -PB

**NOTE:** Dimensions shown in parentheses are in millimeters.

D	10-26-20	Revised Pipe Size	MW	CL	WEIGHT POUNDS	VOLUME CUBIC FEET	FIGURE NUMBER <b>2231</b>
C	7-22-19	Added Load Rating	MW	JM			
B	6-18-19	Removed Function	MW	JM			
A	6-12-15	Revised Variations	TBW	CL			
REV.	DATE	DESCRIPTION	BY	CKD. BY			