

# FLOOR DRAINS AND ACCESSORIES

200 Series

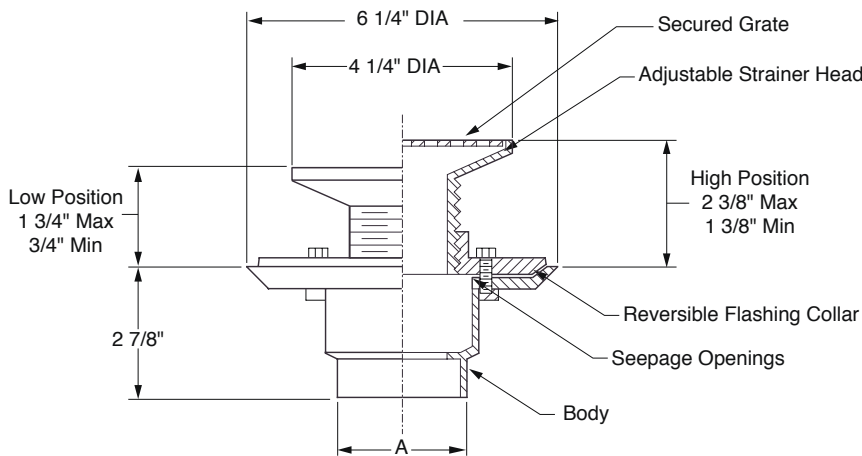
TAG \_\_\_\_\_

PVC and ABS Tiled Shower Drains, Series 215-216 \_\_\_\_\_

**Product Description:** PVC or ABS tiled adjustable shower drain with stainless steel grate.

**Features and Benefits:**

- Fits over 2" and inside 3" Sch 40 DWV pipe
- 4 1/4" round secured stainless steel grate with 2" threaded shank
- Plastic rim allows easy grate replacement
- Adjustable strainer head to meet finish floor level
- Flashing collar with seepage openings
- Clamp ring features keyhole slots for versatility and durability
- Reversible flashing collar for high/low adjustment
- Threaded brass insert in body for clamping collar bolts
- IAPMO listed



**Series 215-216**



Series 215

Series Number	Description	Outlet Size "A"	Outlet Type
215-H02X03	ABS Shower Drain Body and Stainless Grate	2"x3"	Hub x Slip
216-H02X03	PVC Shower Drain Body and Stainless Grate	2"x3"	Hub x Slip

**Note:** Dimensional data is subject to manufacturing tolerances and change without notice.



A Product of:  
**JAY R. SMITH MFG. CO.**  
 DIVISION OF SMITH INDUSTRIES, INC.  
[www.jrsmith.com](http://www.jrsmith.com)



**Series 215-216**

SPM 1013

11/14



**WARNING:** Cancer and Reproductive Harm - [www.P65Warnings.ca.gov](http://www.P65Warnings.ca.gov)