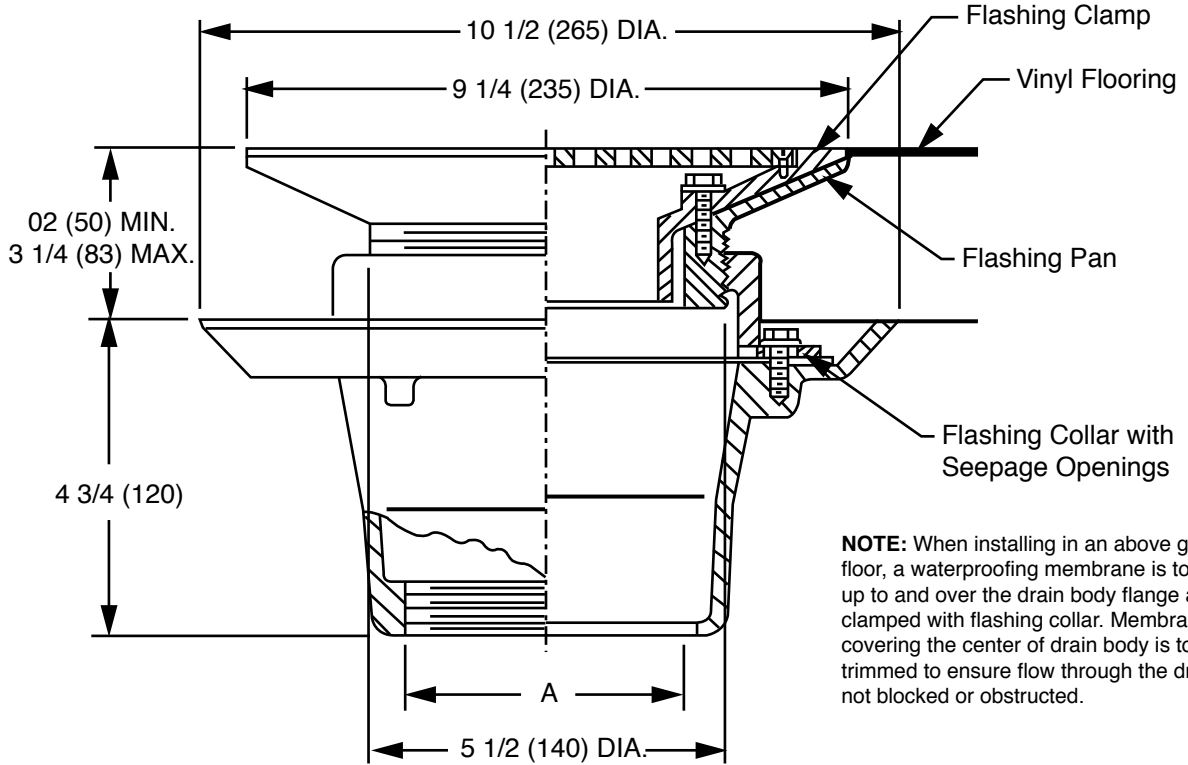


ADJUSTABLE FLOOR OR SHOWER DRAIN

FLASHING STRAINER TYPE

Load Rating: Light Duty having a Safe Live (Static) Load less than 2,000 lbs. (900 kg) per ASME A112.6.3 Floor Drain Standard. For the specific Safe Live Load rating of any grate, contact the Smith representative or factory direct.

FREE AREA
 15 SQ IN
 (97) SQ CM



NOTE: When installing in an above grade floor, a waterproofing membrane is to be ran up to and over the drain body flange and clamped with flashing collar. Membrane covering the center of drain body is to be trimmed to ensure flow through the drain is not blocked or obstructed.

NOTE: Dimensions shown in parentheses are in Millimeters.

A (Pipe Size) = 02(50), 03(75) or 04(100)

- Fig. 2050CCaulk Outlet
- Fig. 2050TThreaded Outlet

NOTE: 2" (50) Inside Caulk Outlet only available by using 3" (75) inside Caulk Outlet with Caulk Reducer.

REGULARLY FURNISHED:

Duco Cast Iron Body with Flashing Collar and Nickel Bronze Adjustable Strainer.

VARIATIONS:

- Trap Primer Connection - P050
- Vandal Proof Screws - U
- No-Hub Adaptor (Specify Fig. 2646Y)

OPTIONAL MATERIALS:

- Galvanized Body - G
- Polished Bronze - PB
- Chrome Plated Top - CP

DRAWING NUMBER: 2050
 SCALE: SIZE: NONE
 DATE: 10-9-86
 APPROVED BY: TD
 CHECKED BY: CR
 DRAWN BY: CMB
 FIGURE NUMBER: 2050
 DIMENSIONS ARE SUBJECT TO MANUFACTURERS TOLERANCE AND CHANGE WITHOUT NOTICE
 WE CAN ASSUME NO RESPONSIBILITY FOR USE OF SUPERSEDED OR VOID DATA

J	9-12-19	Revised Note, Rev. Drawing	MW	CL	WEIGHT POUNDS	VOLUME CUBIC FEET	FIGURE NUMBER 2050
H	8-26-19	Added Note, Rev. Drawing	MW	CL			
G	7-19-19	Added Load Rating	MW	JM			
F	6-17-19	Removed Function	MW	JM			
REV.	DATE	DESCRIPTION	BY	CKD. BY			