



JAY R. SMITH MFG. CO.
 MEMBER OF MORRIS GROUP INTERNATIONAL
 POST OFFICE BOX 3237
 MONTGOMERY, ALABAMA 36109-0237 (USA)
 TEL: 334-277-8520 FAX: 888-377-7818 www.jrsmith.com



LOCATION

DRAWING NUMBER
2038-DEP

SIZE
A

SCALE:
NONE

DATE:
12-14-2020

APPROVED BY:
CR

CHECKED BY:
CL

DRAWN BY:
CL

2038-DEP

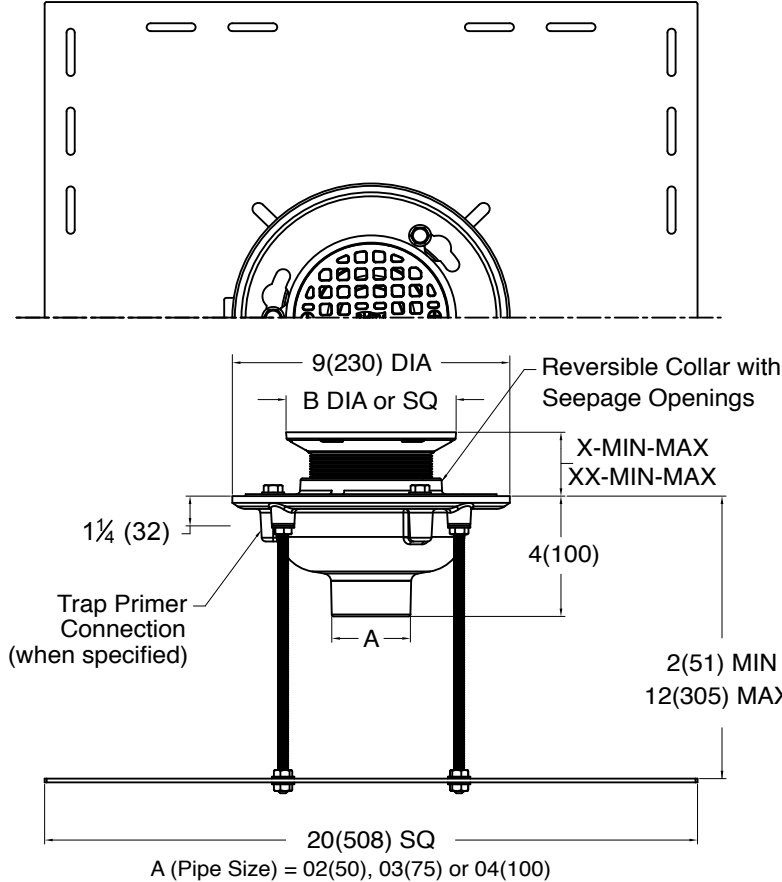
FIGURE NUMBER

WE CAN ASSUME NO RESPONSIBILITY FOR USE OF SUPERSEDED OR VOID DATA

DIMENSIONS ARE SUBJECT TO MANUFACTURERS TOLERANCE AND CHANGE WITHOUT NOTICE

FLOOR OR SHOWER DRAIN

WITH DECK EXTENSION PLATE AND ADJUSTABLE STRAINER HEADS



NO-HUB OUTLET

- Fig. 2038Y-DEP.....(A) ROUND TOP
- Fig. 2038Y-DEP.....(B) SQUARE TOP

Strainer Size	*Collar In High Position		*Collar In Low Position		Free Area SQ IN (SQ CM)	
	B DIA or SQ	X MIN MAX	XX MIN	XX MAX	ROUND	SQUARE
05 (125)	1 1/4 (32)	2 1/4 (57)	3/4 (19)	1 5/8 (41)	7 (45)	6.5 (42)
06 (150)	1 1/4 (32)	2 1/4 (57)	3/4 (19)	1 5/8 (41)	9 (58)	12.5 (81)
07 (180)	1 1/4 (32)	2 1/4 (57)	7/8 (22)	1 7/8 (48)	14 (90)	11 (71)
08 (205)	1 1/2 (38)	2 1/2 (64)	1 (25)	1 7/8 (48)	17 (110)	14 (90)
*09 (230)	1 1/2 (38)	2 3/8 (60)	1 (25)	1 7/8 (48)	18 (116)	16 (103)
*10 (255)	1 1/2 (38)	2 3/8 (60)	1 (25)	1 7/8 (48)	23 (148)	16 (103)

REGULARLY FURNISHED:

Duco Cast Iron Body and Flashing Collar, Deck Extension Plate and Adjustable Strainer Head as Indicated by Suffix Letter Selected.

VARIATIONS:

- L Speedi-Set Service Weight (02, 03 & 04" sizes only)
- LXH Speedi-Set Extra Heavy (02, 03 & 04" sizes only)
- Sediment Bucket -B
- Trap Primer Connection -P050 1/2"(13) & -P075 3/4"(19)
- Vandal Proof -U
- Heelproof Grate -HP -AHP (Round) or -BHP (Square)

OPTIONAL MATERIALS:

- Chrome Plated Strainer -CP
 - Galvanized Cast Iron Body -G
 - Nickel Bronze Strainer -NB
 - Polished Bronze Strainer -PB
- *Add 3/8"(10) to all min/max dimensions for **round strainers. Collar is reversible to obtain extreme high and low strainer positions.

NOTE: Dimensions shown in Parentheses are millimeters.

REV.	DATE	DESCRIPTION	BY	CKD. BY	WEIGHT POUNDS	VOLUME CUBIC FEET

FIGURE NUMBER
2038-DEP