

FLOOR OR SHOWER DRAINS WITH ADJUSTABLE STRAINER HEADS

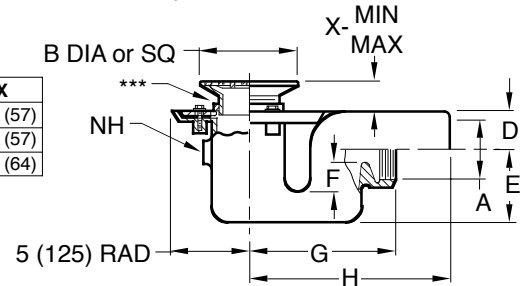
General service floor drain for use in showers, toilets, kitchens, and other finished areas where foot traffic is expected.
 Load Rating: Light Duty having a Safe Live (Static) Load less than 2,000 lbs. (900 kg) per ASME A112.6.3 Floor Drain Standard.
 For the specific Safe Live Load rating of any grate, contact the Smith representative or factory direct.

SHALLOW TRAP - SIDE OUTLET

A SIZE	B	D	E	F Seal	G	H	MIN-X-MAX	
02 (51)	05 (125)	1 3/4 (44)	5 (125)	2 (51)	6 3/4 (170)	9 1/2 (240)	1 1/4 (32)	2 1/4 (57)
03 (76)	06 (150)	2 1/4 (57)	4 1/2 (115)	2 (51)	9 (230)	12 1/4 (310)	1 1/4 (32)	2 1/4 (57)
04 (100)	08 (205)	3 (76)	8 1/2 (215)	2 1/2 (64)	10 (255)	12 3/4 (325)	1 1/2 (38)	2 1/2 (64)

THREAD OUTLET *SPIGOT OUTLET

Fig. 2020T ... (A) ROUND TOP ... 2021S
 Fig. 2020T ... (B) SQUARE TOP ... 2021S

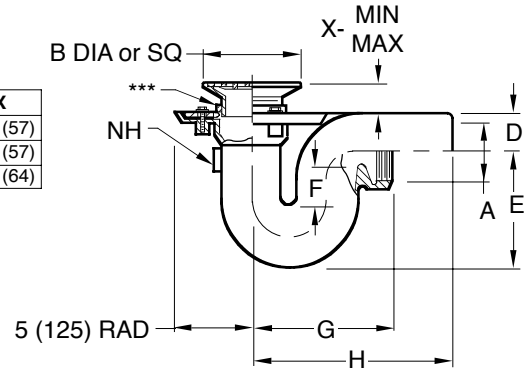


DEEP TRAP - SIDE OUTLET

A SIZE	B	D	E	F Seal	G	H	MIN-X-MAX	
02 (51)	05 (125)	1 3/4 (44)	5 1/4 (135)	2 (51)	5 (125)	8 (205)	1 1/4 (32)	2 1/4 (57)
03 (76)	06 (150)	2 (51)	7 (180)	2 1/4 (57)	8 (205)	10 (255)	1 1/4 (32)	2 1/4 (57)
04 (100)	08 (205)	3 (76)	8 1/2 (215)	2 1/2 (64)	10 (255)	12 3/4 (325)	1 1/2 (38)	2 1/2 (64)

THREAD OUTLET *SPIGOT OUTLET

Fig. 2030T ... (A) ROUND TOP ... 2031S
 Fig. 2030T ... (B) SQUARE TOP ... 2031S

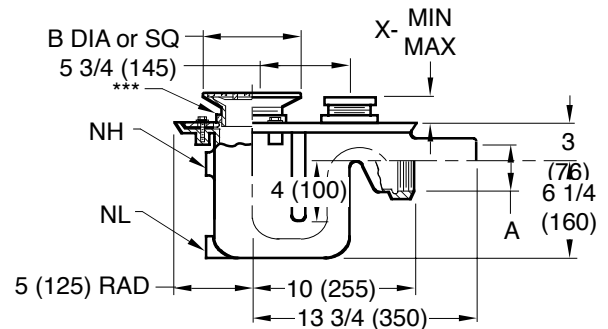


DEEP TRAP WITH FLOOR CLEANOUT - SIDE OUTLET

A SIZE	B	MIN-X-MAX	
02 (51)	05 (125)	1 1/4 (32)	2 1/4 (57)
03 (76)	06 (150)	1 1/4 (32)	2 1/4 (57)
04 (100)	08 (205)	1 1/2 (38)	2 1/2 (64)

THREAD OUTLET *SPIGOT OUTLET

Fig. 2040T ... (A) ROUND TOP ... 2041S
 Fig. 2040T ... (B) SQUARE TOP ... 2041S



REGULARLY FURNISHED:

Duco Cast Iron Body and Flashing Collar, Adjustable Strainer Head, with Secured Grate. Type of Body and Strainer Head as Indicated by Figure Number and Strainer Suffix Letter Selected.

NOTE 1: Sediment Bucket -B not provided for a Hinged Grate (-H)

NOTE 2: Sediment Bucket -B not provided for a Ball Float (-BFV) or a Flapper Type (-V)

VARIATIONS:

- Ball Float Backwater Valve -BFV (NOTE 2)
- High Auxiliary Inlet -NH (1 1/2 (38) or 2" (51))
- Hinged Grate -H (NOTE 1)
- Low Auxiliary Inlet -NL (Fig. 2040 only)
- Sediment Bucket -B
- Trap Primer Connection -P050 (1/2" (13)) & -P075 (3/4" (19))
- Vandal Proof Screws -U

OPTIONAL MATERIALS:

- Bronze Body -BB
- Chrome Plated Strainer -CP
- Galvanized Cast Iron -G
- Nickel Bronze Strainer -NB
- Polished Bronze Strainer -PB

* Sized for service weight and/or NO-HUB.
 ** Not available for 5" (125) size strainer.
 *** Collar can be used in high position only.

SEE PM0457 FOR OPTIONAL STRAINER HEADS.

K
 DRAWING NUMBER S2020
 SIZE A
 SCALE: NONE
 DATE: 5-17-85
 APPROVED BY: TD
 CHECKED BY: TD
 DRAWN BY: PJ
 2020, 2021, 2030
 2031, 2040, 2041
 DIMENSIONS ARE SUBJECT TO MANUFACTURERS TOLERANCE AND CHANGE WITHOUT NOTICE

WE CAN ASSUME NO RESPONSIBILITY FOR USE OF SUPERSEDED OR VOID DATA

REV.	DATE	DESCRIPTION	BY	CKD. BY
K	10-8-21	Added NOTE 1 & 2	KK	JM
J	7-23-19	Added Load Rating	MW	JM
H	6-14-19	Removed Function	MW	JM
G	3-21-95	Added Metric	EMB	BS

WEIGHT POUNDS	VOLUME CUBIC FEET

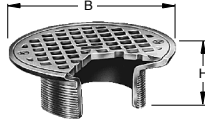
FIGURE NUMBER
2020, 2021, 2030 2031, 2040, 2041

NOTE 1: Sediment Bucket -B not provided for a Hinged Grate (-H)

NOTE 2: Sediment Bucket -B not provided for a Ball Float (-BFV) or a Flapper Type (-V)

OPTIONAL STRAINER HEADS

ROUND STRAINER



MATERIALS:
 Chrome Plated -CP
 Polished Bronze -PB
 Nickel Bronze -NB
 Stainless Steel
 Strainers -SS [Available in 05(125) & 06(150) sizes only]

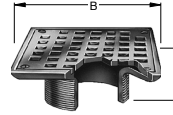
VARIATIONS:
 *Hinged Grate (Specify Suffix -AH) (NOTE 1)
 Sediment Bucket -B
 Vandal Proof Screws -U

B DIA	05 (125)	06 (150)	07 (180)	08 (205)	09 (230)	10 (255)
H	2 (51)	2 (51)	2 1/4 (57)	2 1/2 (64)	2 1/2 (64)	2 3/4 (70)
X MIN	1 1/4 (32)	1 1/4 (32)	1 1/4 (32)	1 1/2 (38)	1 1/2 (38)	1 1/2 (38)
X MAX	2 1/4 (57)	2 1/4 (57)	2 1/4 (57)	2 1/2 (64)	2 1/2 (64)	2 3/4 (70)

Specify Type, Size & Finish eg: A05NB
 *Not available for 05" (125) size

SUFFIX -A

FLAPPER TYPE BACKWATER VALVE



FUNCTION: Provides backwater protection at point where protection is needed.

MATERIALS:
 Chrome Plated -CP
 Polished Bronze -PB
 Nickel Bronze -NB

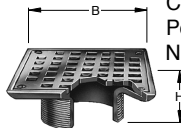
VARIATIONS:
 *Hinged Grate (Specify Suffix -AH)
 Vandal Proof Screws -U

B SQ	05 (125)	06 (150)	07 (180)	08 (205)
H	2 (51)	2 (51)	2 1/4 (57)	2 1/2 (64)
X MIN	1 1/4 (32)	1 1/4 (32)	1 1/4 (32)	1 1/2 (38)
X MAX	2 1/4 (57)	2 1/4 (57)	2 1/4 (57)	2 1/2 (64)

Specify Type, Size & Finish eg: AV05NB
 *Not available for 05" (125) size

SUFFIX -AV

SQUARE STRAINER



MATERIALS:
 Chrome Plated -CP
 Polished Bronze -PB
 Nickel Bronze -NB

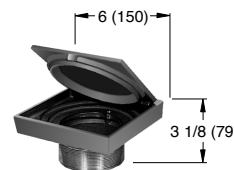
VARIATIONS:
 Flapper Type Backwater Valve (Specify Suffix -BV) 05 (125), 06 (150), 07 (180) or 08" (205) sizes only (NOTE 2)
 *Hinged Grate (Specify Suffix -BH) (NOTE 1)
 Sediment Bucket -B
 Vandal Proof Screws -U

B SQ	05 (125)	06 (150)	07 (180)	08 (205)	09 (230)	10 (255)
H	2 (51)	2 (51)	2 1/4 (57)	2 1/2 (64)	2 1/4 (57)	2 1/4 (57)
X MIN	1 1/4 (32)	1 1/4 (32)	1 1/4 (32)	1 1/2 (38)	1 1/2 (38)	1 1/2 (38)
X MAX	2 1/4 (57)	2 1/4 (57)	2 1/4 (57)	2 1/2 (64)	2 1/4 (57)	2 3/8 (60)

Specify Type, Size & Finish eg: B05NB
 *Not available for 05" (125) size

SUFFIX -B

STRAINER HEAD w/SQUARE HINGED COVER



MATERIALS:
 Chrome Plated -CP
 Polished Bronze -PB
 Nickel Bronze -NB

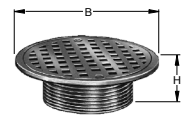
VARIATIONS:
 Gasketed Water Tight Cover -GC
 Secured Cover -SC
 Secondary Strainer Grate -SG

Specify Type, Size & Finish eg: BSNB

SUFFIX -BS

REINFORCED ROUND STRAINER

FUNCTION: Used in finished floors where light wheeled loads are anticipated.



MATERIALS:
 Chrome Plated -CP
 Polished Bronze -PB
 Nickel Bronze -NB

VARIATIONS:
 Flapper Type Backwater Valve (Specify Suffix -CV) (NOTE 2)
 Sediment Bucket -B
 Vandal Proof Screws -U

B DIA	05 (125)	06 (150)	08 (205)	10 (255)
H	2 (51)	2 (51)	2 1/2 (64)	2 3/4 (70)
MIN	1 1/4 (32)	1 1/4 (32)	1 1/2 (38)	1 7/8 (48)
MAX	2 1/4 (57)	2 1/4 (57)	2 1/2 (64)	2 3/4 (70)

Specify Type, Size & Finish eg: C06NB

SUFFIX -C

REINFORCED TRACTOR STRAINER

FUNCTION: Used in finished floors where light weight wheeled loads are anticipated and loose set non-tilt tractor grate is desired.



MATERIALS:
 Cast Iron -CI
 Chrome Plated -CP
 Polished Bronze -PB
 Nickel Bronze -NB

VARIATIONS:
 Flapper Type Backwater Valve (Specify Suffix -DV or -EV) (NOTE 2)
 Sediment Bucket -B
 Vandal Proof Screws -U

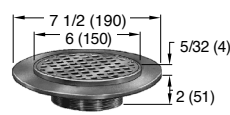
SUFFIX	B DIA	H	X	
			MIN	MAX
-D	07 (180)	3 1/4 (83)	2 5/8 (67)	3 1/2 (89)
-E	09 (230)	3 1/2 (89)	2 3/4 (70)	3 1/2 (89)

Specify Type, Size & Finish eg: D07PB
 E09PB

SUFFIX -D-E

TILE FLANGE

FUNCTION: Provides integral flange set 5/32"(4) below rim to receive floor covering. Flange may have option of tapped holes for securing pan and gasket.



MATERIALS:
 Chrome Plated -CP
 Polished Bronze -PB
 Nickel Bronze -NB

VARIATIONS:
 Flapper Type Backwater Valve (Specify Suffix -FV) (NOTE 2)
 Holes in Flange -SH
 Sediment Bucket -B
 Vandal Proof Screws -U

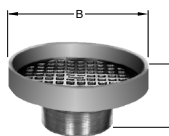
X	
MIN	MAX
1 1/4 (32)	2 1/8 (54)

Specify Type, Size & Finish eg: F06NB

SUFFIX -F

ADJUSTABLE STRAINER HEAD

FUNCTION: Used in a non-traffic area when a funnel type strainer head is required and space does not allow use of the 3500 series funnel. The extended rim allows use as an anti-flood and anti-splash drip pan.



VARIATIONS:
 Flapper Type Backwater Valve (Specify Suffix -F37V or F38V)

MATERIALS:
 Cast Iron -CI
 Chrome Plated -CP
 Galvanized Cast Iron -G
 Polished Bronze -PB
 Nickel Bronze -NB

SUFFIX	-F37	-F38
B DIA	07 (180)	09 (230)
H	3 1/4 (83)	3 1/2 (89)
X MIN	2 5/8 (67)	2 3/4 (70)
X MAX	3 1/2 (89)	3 1/2 (89)

Specify Type, Size & Finish eg: F37NB F38CP

SUFFIX -F37-F38

DRAWING NUMBER
PM0457 SH 1 of 2

SIZE
A

SCALE
NONE

DATE:
5-17-85

APPROVED BY:
TD

CHECKED BY:
TD

DRAWN BY:
PJ

2010 SERIES OPTIONAL STRAINER HEADS

FIGURE NUMBER

M	10-8-21	Added NOTE 1 & 2 Rev. Finish (Tractor Stainer) Added Load Rating(s)	KK	JM	FIGURE NUMBER 2010 SERIES OPTIONAL STRAINER HEADS 1 of 2
L	10-26-20		MW	CL	
K	7-29-19		MW	JM	
REV.	DATE	DESCRIPTION	BY	CKD. BY	

NOTE: Dimensions shown in parentheses are in millimeters.



WARNING: Cancer and Reproductive Harm - www.P65Warnings.ca.gov

OPTIONAL STRAINER HEADS

DRAWING NUMBER: PM0457 SH 2 of 2
 SIZE: A
 SCALE: NONE
 DATE: 5-17-85
 APPROVED BY: TD
 CHECKED BY: TD
 DRAWN BY: PJ
 2010 SERIES OPTIONAL STRAINER HEADS

ASSUME NO RESPONSIBILITY OR USE OF SUPERSEDED OR VOID DATA
 DIMENSIONS ARE SUBJECT TO MANUFACTURERS TOLERANCE AND CHANGE WITHOUT NOTICE

LOW DOME STRAINER

FUNCTION: Used in gutters and recessed areas where excessive debris build-up is expected. Dome insures drainage even when partly covered.

MATERIALS:
 Chrome Plated -CP
 Polished Bronze -PB
 Nickel Bronze -NB

VARIATIONS:
 Flapper Type Backwater Valve (Specify Suffix -GV)
 Sediment Bucket -B
 Vandal Proof Screws -U



B DIA	05 (125)	06 (150)	08 (205)
H	2 (51)	2 (51)	2 1/2 (64)
MIN	1 1/4 (32)	1 1/4 (32)	1 1/2 (38)
MAX	2 1/4 (57)	2 1/4 (57)	2 1/2 (64)

SUFFIX -G Specify Type, Size & Finish eg: G08PB

SOLID HINGED COVER

FUNCTION: Used in areas where intermittent drain use is required. Solid cover prevents intrusion of chips, saw-dust, etc., which are swept up before cover is opened for washdown. The secondary strainer prevents debris from entering the waste line.

MATERIALS:
 Chrome Plated -CP
 Polished Bronze -PB
 Nickel Bronze -NB

VARIATIONS:
 Flapper Type Backwater Valve (Specify Suffix -GV)
 Vandal Proof Screws -U



B DIA	05 (125)	06 (150)	07 (180)	08 (205)
H	2 (51)	2 (51)	2 1/4 (57)	2 1/2 (64)
X MIN	1 1/4 (32)	1 1/4 (32)	1 1/4 (32)	1 1/2 (38)
X MAX	2 1/4 (57)	2 1/4 (57)	2 1/4 (57)	2 1/2 (64)

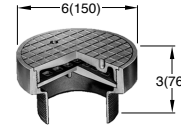
SUFFIX -H Specify Type, Size & Finish eg: H05CP

SPANNER WRENCH COVER

FUNCTION: Solid gas tight, vandal proof, threaded cover for areas where intermittent drain use is required.

MATERIALS:
 Chrome Plated -CP
 Polished Bronze -PB
 Nickel Bronze -NB

VARIATIONS:
 Flapper Type Backwater Valve (Specify Suffix -JV)
 Sediment Bucket -B



MEDIUM DUTY

X	MIN	MAX
	2 (51)	3 (76)

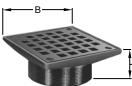
SUFFIX -J Specify Type, Size & Finish eg: J06NB

REINFORCED SQUARE STRAINER

FUNCTION: Used in finished floors where some light wheeled traffic is anticipated.

MATERIALS:
 Chrome Plated -CP
 Polished Bronze -PB
 Nickel Bronze -NB

VARIATIONS:
 Flapper Type Backwater Valve (Specify Suffix -KV)
 Sediment Bucket -B
 Vandal Proof Screws -U



B SQ	05 (125)	06 (150)	07 (180)	08 (205)
H	2 (51)	2 (51)	2 1/4 (57)	2 1/2 (64)
X MIN	1 1/4 (32)	1 1/4 (32)	1 1/4 (32)	1 1/2 (38)
X MAX	2 1/4 (57)	2 1/4 (57)	2 1/4 (57)	2 1/2 (64)

LIGHT DUTY

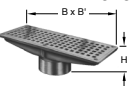
SUFFIX -K Specify Type, Size & Finish eg: K07CP

RECTANGULAR STRAINER

FUNCTION: Used in finished floors where light wheeled loads and or heavy foot traffic are anticipated.

MATERIALS:
 Chrome Plated -CP
 Polished Bronze -PB
 Nickel Bronze -NB

VARIATIONS:
 Sediment Bucket -B
 Vandal Proof Screws -U



LIGHT DUTY

SUFFIX	L	M	N	P	R	T
B x B'	4 1/2(115)x8(205)	4(100)x12(305)	5(125)x9(230)	5(125)x13(330)	6(150)x10(255)	5(125)x17(430)
H	2 1/4 (57)	2 1/2 (64)	2 1/4 (57)	3 (76)	2 1/4 (57)	3 (76)
X MIN	1 3/8 (35)	1 7/8 (48)	1 3/8 (35)	2 1/8 (54)	1 3/8 (35)	2 1/4 (57)
X MAX	2 3/8 (60)	2 3/4 (70)	2 3/8 (60)	3 (76)	2 3/8 (60)	3 1/8 (79)

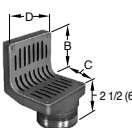
SUFFIX -L-M-N-P-R-T Specify Type, Size & Finish eg: LNB

ANGLE STRAINER

FUNCTION: Shower room drain set at wall and floor junction. Vertical grate openings prevent drain stoppage should flat surface become covered.

MATERIALS:
 Chrome Plated -CP
 Polished Bronze -PB
 Nickel Bronze -NB

VARIATIONS:
 Vandal Proof Screws -U



SUFFIX	B	C	D	MIN	MAX
-V	3 1/2 (89)	3 1/2 (89)	4 1/2 (115)	1 5/8 (41)	2 5/8 (67)
-W	6 3/4 (170)	6 3/4 (170)	6 1/2 (165)	1 5/8 (41)	2 5/8 (67)

LIGHT DUTY

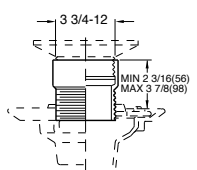
SUFFIX -V -W Specify Type, Size & Finish eg: VPB, WNB

EXTENSION ADAPTOR

FUNCTION: Used when a strainer head must be raised to accommodate deeper floor fill.

REGULARLY FURNISHED:
 Duco Cast Iron -CI

MATERIALS:
 Cast Bronze -CB
 Galvanized Cast Iron -G



NOTE: Extension can be stacked for increased maximum adjustment.


SUFFIX -X

OVERFLOW WITH STANDPIPE

FUNCTION: Used as overflow drain in decorative pools, fish ponds or similar areas. Dome prevents floating objects from entering drain line.

MATERIALS:
 Chrome Plated -CP
 Nickel Bronze -NB
 Polished Bronze -PB

VARIATIONS:
 Less Dome -LD
 Standpipe Height other than 6" (150) (Specify Height)



SUFFIX	A	MIN	MAX
-Y	2 (51)	3/4 (19)	2 1/8 (54)
-Z	3 (76)	3/4 (19)	2 1/8 (54)

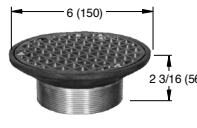
SUFFIX -Y-Z Specify Type, Size & Finish eg: YCP, ZCP

HEAVY DUTY ADJUSTABLE

FUNCTION: Used in finished floors where light wheeled loads and or heavy foot traffic are anticipated.

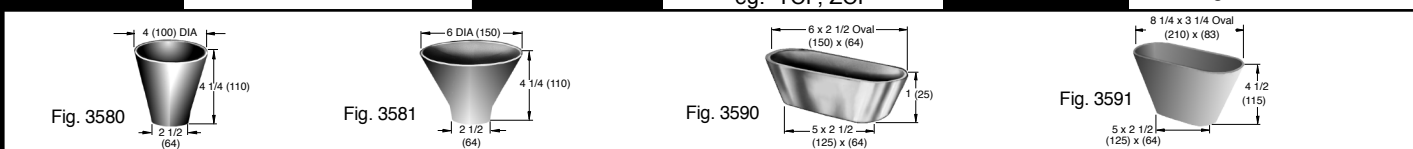
MATERIALS:
 Polished Bronze -PB
 Rough Bronze -RB
 Nickel Bronze -NB

VARIATIONS:
 Flapper Type Backwater Valve (Specify Suffix -69V)
 Sediment Bucket -B
 Vandal Proof Screws -U



MEDIUM DUTY

SUFFIX -69 eg: A06NB-69



L	7-29-19	Added Load Rating(s)	MW	JM	FIGURE NUMBER 2010 SERIES OPTIONAL STRAINER HEADS 2 of 2
K	10-20-17	Rev. Materials Suffix -H, -V-W	TBW	CL	
J	1-17-12	Rev. Variations of Suffix -J	TBW	AM	
H	8-24-99	Revised Tables	TBW	BS	
G	6-11-99	Revised Tables	CMD		
REV.	DATE	DESCRIPTION	BY	CKD. BY	

NOTE: Dimensions shown in parentheses are in millimeters.



WARNING: Cancer and Reproductive Harm - www.P65Warnings.ca.gov