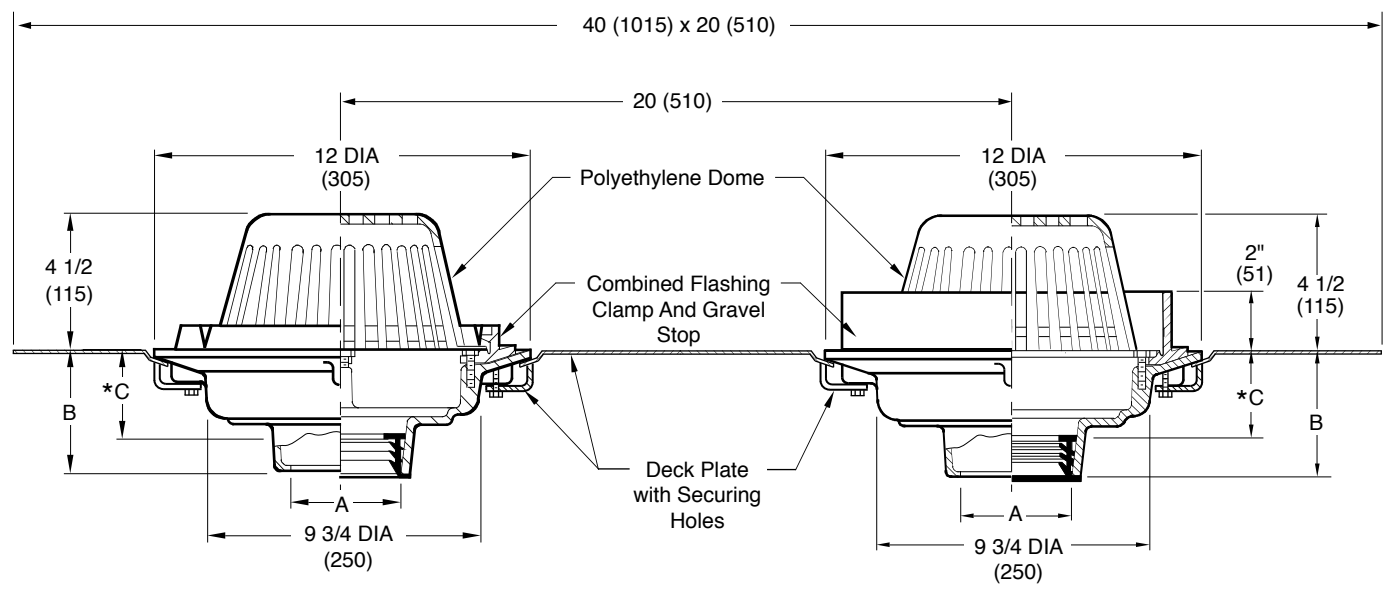


# ROOF DRAIN AND OVERFLOW DRAIN



\* NOTE: This Dimension to Internal Stop of Speedi-Set Gasket.

1850C.....CAULK OUTLET  
 1850Y..... NO-HUB OUTLET

A SIZE	B			FREE AREA SQ IN (SQ CM)
	CAULK, NO-HUB, & SPEEDI-SET	THREADED	*C	
02(50),03(75), 04(100) 05(125), 06(150)	6 (150)	4 3/4 (120)	4 3/4 (120)	71.5 (461)

**REGULARLY FURNISHED:**  
 Duco Cast Iron Body, Double Deck Plate with Securing Holes, Combined Flashing Clamp and Gravel Stop for Roof Drain and External Water Dam for Overflow Drain, both with Polyethylene Dome.

**VARIATIONS:**

- Expansion Joint (Specify Fig.1710)
- Extension (Specify Height) -E
- L Speedi-Set Service Weight
- LXH Speedi-Set Extra Heavy
- Secondary Flashing Clamp -C2
- Vandal Proof Dome -U
- T Threaded Outlet

**OPTIONAL MATERIALS:**

- Aluminum Dome -AD
- Cast Iron Dome -CID
- Galvanized Cast Iron Dome -CIDG
- Galvanized Cast Iron Body & Collar -G
- Rough Bronze Dome -RBD

NOTE: Dimensions shown in parentheses are in millimeters.

DRAWING NUMBER s1850  
 SCALE: NONE  
 DATE: 4-26-11  
 APPROVED BY: CL  
 CHECKED BY: CL  
 DRAWN BY: TBW  
 DIMENSIONS ARE SUBJECT TO MANUFACTURERS TOLERANCE AND CHANGE WITHOUT NOTICE  
 WE CAN ASSUME NO RESPONSIBILITY FOR USE OF SUPERSEDED OR VOID DATA

REV.	DATE	DESCRIPTION	BY	CKD. BY	WEIGHT POUNDS	VOLUME CUBIC FEET
B	7-30-19	Removed NOTE	MW	CL		
A	12-1-15	Added Flow Rate Note	TBW	BW		

**FIGURE NUMBER**  
**1850**