



JAY R. SMITH MFG. CO.
 MEMBER OF MORRIS GROUP INTERNATIONAL
 POST OFFICE BOX 3237
 MONTGOMERY, ALABAMA 36109-0237 (USA)
 TEL: 334-277-8520 FAX: 334-272-7396 www.jrsmith.com



LOCATION

SPECIAL PURPOSE WALL BOX AND DOWNSPOUT NOZZLE

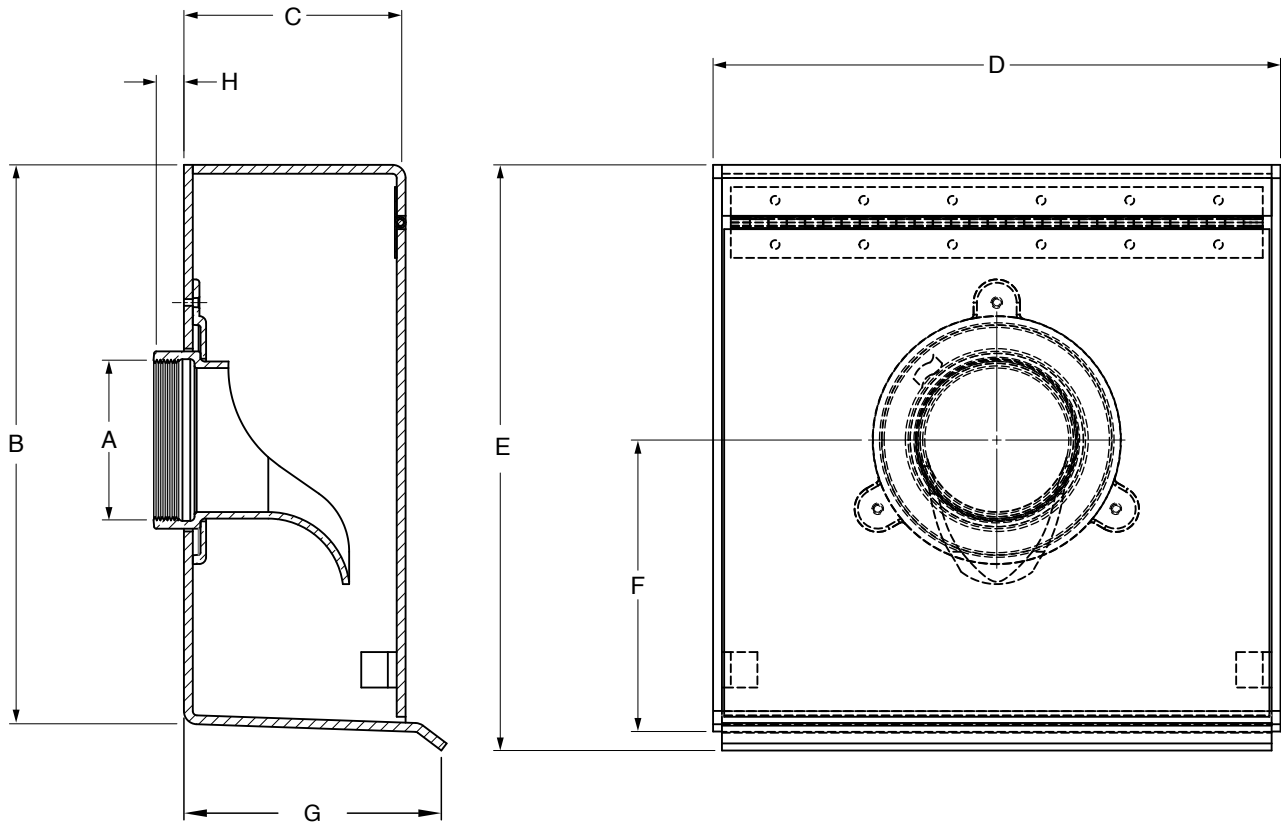


Fig. 1779T THREADED CONNECTION

DIMENSIONS								
FIGURE NUMBER	A (Pipe Size)	B	C	D	E	F	G	H
1779-04	04(100)	15 33/64(394)	6 1/4(158)	16(406)	16 33/64(419)	8 7/32(208)	7 27/64(188)	5 5/64(21)
1779-06	06(150)	15 33/64(394)	6 1/4(158)	16(406)	16 33/64(419)	8 7/32(208)	7 27/64(188)	5 9/64(23)
1779-08	08(205)	15 33/64(394)	6 1/4(158)	16(406)	16 33/64(419)	8 7/32(208)	7 27/64(188)	1 5/32(29)
1779-10	10(255)	18 33/64(470)	6 1/4(158)	16(406)	19 17/64(489)	9 3/8(238)	7 27/64(188)	1 17/64(32)

REGULARLY FURNISHED:
 Fabricated Brass Wall Box with Hinged Cover, Cast Bronze Downspout Nozzle and Flange.

VARIATIONS:
 Vandal Proof -U
 NO-HUB Connection -Y

OPTIONAL MATERIALS:
 Type 316 Stainless Steel -316SS

DRAWING NUMBER
S1779

SIZE
A

SCALE:
NONE

DATE:
10-23-18

APPROVED BY:
AM

CHECKED BY:
AM

DRAWN BY:
TBW

1779

FIGURE NUMBER

WE CAN ASSUME NO RESPONSIBILITY FOR USE OF SUPERSEDED OR VOID DATA

DIMENSIONS ARE SUBJECT TO MANUFACTURERS TOLERANCE AND CHANGE WITHOUT NOTICE

A	10-23-18	ADD 10" Pipe Size	AM	AM
REV.	DATE	DESCRIPTION	BY	CKD. BY

WEIGHT POUNDS	VOLUME CUBIC FEET
---------------	-------------------

FIGURE NUMBER
1779