

ROOF ACCESSORY

DOWNSPOUT NOZZLE

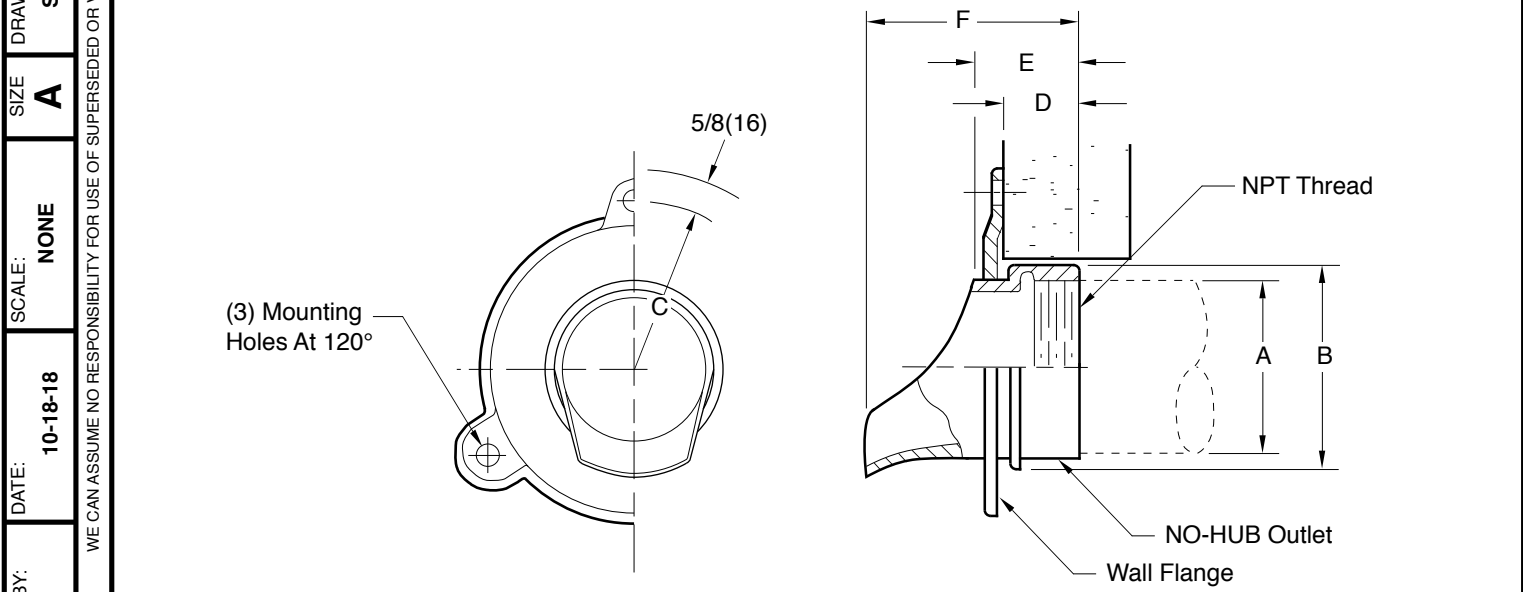


Fig. 1770T-ADA.....Threaded Outlet
 Fig. 1770Y-ADA.....NO-HUB Outlet 02(50), 03(75), 04(100) and 06(150)
**** When -NB is specified with NO-HUB outlet, ALL SIZES will be supplied with a 2646Y NO-HUB adaptor.**

	*	*	*	*	*	*	*	*	*
A=PIPE	02(50)	03(75)	04(100)	05(125)	06T(150)	06Y(150)	08(200)	10(255)	12(305)
B=DIA	2 3/4 (70)	4 (100)	5 (125)	6 (150)	7 1/4 (185)	7 1/4 (185)	9 1/4 (235)	11 1/8 (283)	13 1/4 (335)
C=RAD	2 3/4 (70)	3 1/2 (89)	3 7/8 (98)	4 3/8 (111)	5 (125)	5 (125)	5 7/8 (149)	7 1/4 (185)	8 (205)
D	1 3/8 (35)	1 3/8 (35)	1 3/8 (35)	1 3/8 (35)	1 3/8 (35)	1 13/16 (46)	1 5/8 (41)	1 3/4 (44)	2 (51)
E	2 1/16 (52)	2 1/16 (52)	2 1/16 (52)	2 1/16 (52)	2 1/16 (52)	2 1/2 (64)	2 3/8 (60)	2 3/4 (70)	2 15/16 (75)
F	4 7/8 (124)	4 7/8 (124)	4 7/8 (124)	4 7/8 (124)	4 7/8 (124)	5 5/16 (135)	5 1/8 (130)	5 1/4 (133)	5 1/2 (140)

REGULARLY FURNISHED:
 Cast Bronze Nozzle and Flange.

VARIATIONS:
 Bird Screen -BS
 * NO-HUB Adaptor (specify Fig. 2646Y)
 [5"(125), 8"(200), 10"(255) and 12"(305) only]

OPTIONAL MATERIALS:
 ** Nickel Bronze -NB
 Polished Bronze -PB
 Chrome Plated -CP

NOTE: Dimensions shown in parentheses are in millimeters.

FIGURE NUMBER	1770-ADA	B	2-11-21	Removed Function	KK	AM	WEIGHT POUNDS	VOLUME CUBIC FEET	FIGURE NUMBER
		A	8-30-19	Rev. Opt. Mat./Added Note **	MW	CL			1770-ADA
REV.		DATE		DESCRIPTION	BY	CKD. BY			