

F

**SMITH® JAY R. SMITH MFG. CO.®**  
 MEMBER OF MORRIS GROUP INTERNATIONAL  
 POST OFFICE BOX 3237  
 MONTGOMERY, ALABAMA 36109-0237 (USA)  
 TEL: 334-277-8520 FAX: 334-272-7396 www.jrsmith.com



LOCATION

DRAWING NUMBER  
S1580

SIZE  
A

SCALE:  
NONE

DATE:  
5-24-85

APPROVED BY:  
TD

CHECKED BY:  
TD

DRAWN BY:  
RH

1580

FIGURE NUMBER

WE CAN ASSUME NO RESPONSIBILITY FOR USE OF SUPERSEDED OR VOID DATA

# SCUPPER DRAINS

**FUNCTION:** Used at specific angles of junction of roof and parapet with connection to outside conductor. Convex grate allows ample drainage area if sides become clogged with debris. Clamping arrangement insures watertight assembly.

Free Area  
111 SQ IN  
(716) SQ CM

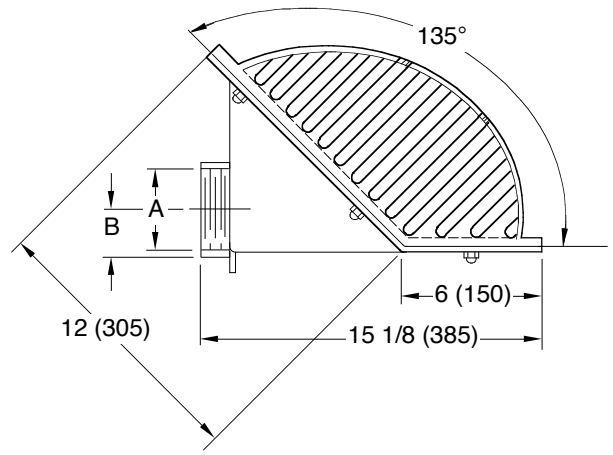
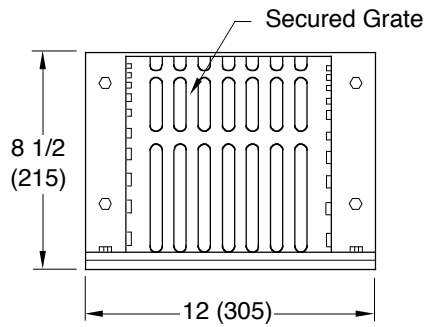


Fig. 1580T . . . . THREADED OUTLET

<b>A SIZE</b>	02 (50)	03 (75)	04 (100)	05 (125)	06 (150)
<b>B</b>	1 3/4 (44)	2 1/4 (57)	2 3/4 (70)	3 1/4 (83)	4 (100)

**REGULARLY FURNISHED:**  
Cold Galvanized Steel Body with Rough Bronze Grate and Flashing Clamp.

**OPTIONAL MATERIALS:**  
 Nickel Bronze Top -NB  
 Polished Bronze Top -PB

**NOTE:** Dimensions shown in parentheses are in millimeters.

F	6-16-99	Revised Millimeters	CMD	BS	WEIGHT POUNDS	VOLUME CUBIC FEET	FIGURE NUMBER <b>1580</b>
E	7-19-96	Added Millimeters	EMB	BS			
D	6-30-94	Revised	EMB	BS			
C	6-7-93	Submittal Update	EMB	BS			
B	6-20-91	Rev. Reg. Furn.	EMB	JCS			
REV.	DATE	DESCRIPTION	BY	CKD. BY			