

# SCUPPER DRAINS

## DOWNSPOUT ADAPTOR

**FUNCTION:** Used in conjunction with scupper drains. Downspout adaptor is used to connect outside downspout to side outlet (90°) drains.

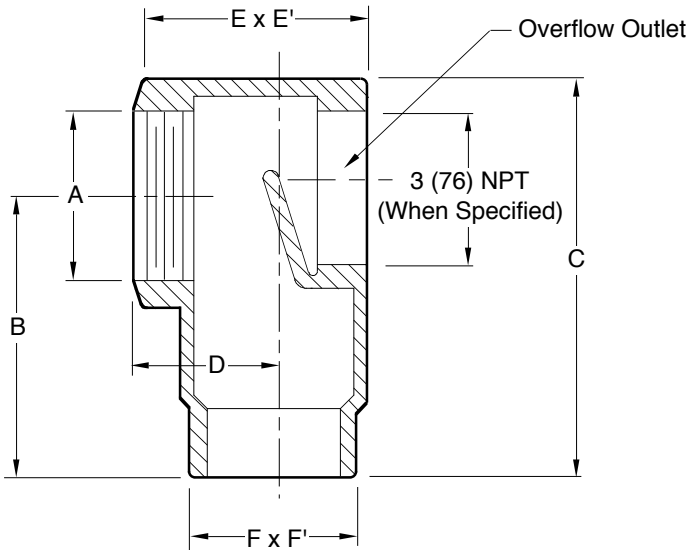


Fig. 1550T . . . . . DOWNSPOUT ADAPTOR

A SIZE	B	C	D	E X E'	F X F'
02(50), 03(75) & 04(100)	4 3/4 (120)	7 1/4 (185)	2 3/4 (70)	4 1/4 x 5 3/4 (110) x (145)	3 x 5 (76) x (125)

**REGULARLY FURNISHED:**  
Duco Cast Iron.

**VARIATIONS:**  
 Tapped 3" (76) NPT -T3  
 (When Specified)

**OPTIONAL MATERIALS:**  
 Galvanized Cast Iron -G

**NOTE:** Dimensions shown in parentheses are in millimeters.

DRAWING NUMBER S1550  
 SIZE A  
 SCALE: NONE  
 DATE: 5-24-85  
 APPROVED BY: TD  
 CHECKED BY: TD  
 DRAWN BY: PL  
 1550  
 DIMENSIONS ARE SUBJECT TO MANUFACTURERS TOLERANCE AND CHANGE WITHOUT NOTICE  
 WE CAN ASSUME NO RESPONSIBILITY FOR USE OF SUPERSEDED OR VOID DATA

REV.	DATE	DESCRIPTION	BY	CKD. BY	WEIGHT POUNDS	VOLUME CUBIC FEET	<b>FIGURE NUMBER</b>  <b>1550</b>