

H

**SMITH® JAY R. SMITH MFG. CO.®**  
 MEMBER OF MORRIS GROUP INTERNATIONAL  
 POST OFFICE BOX 3237  
 MONTGOMERY, ALABAMA 36109-0237 (USA)  
 TEL: 334-277-8520 FAX: 888-377-7818 www.jrsmith.com



MEMBER OF:

LOCATION

DRAWING NUMBER  
S1469

SIZE  
A

SCALE:  
NONE

DATE:  
2-2-82

APPROVED BY:  
JM

CHECKED BY:  
JM

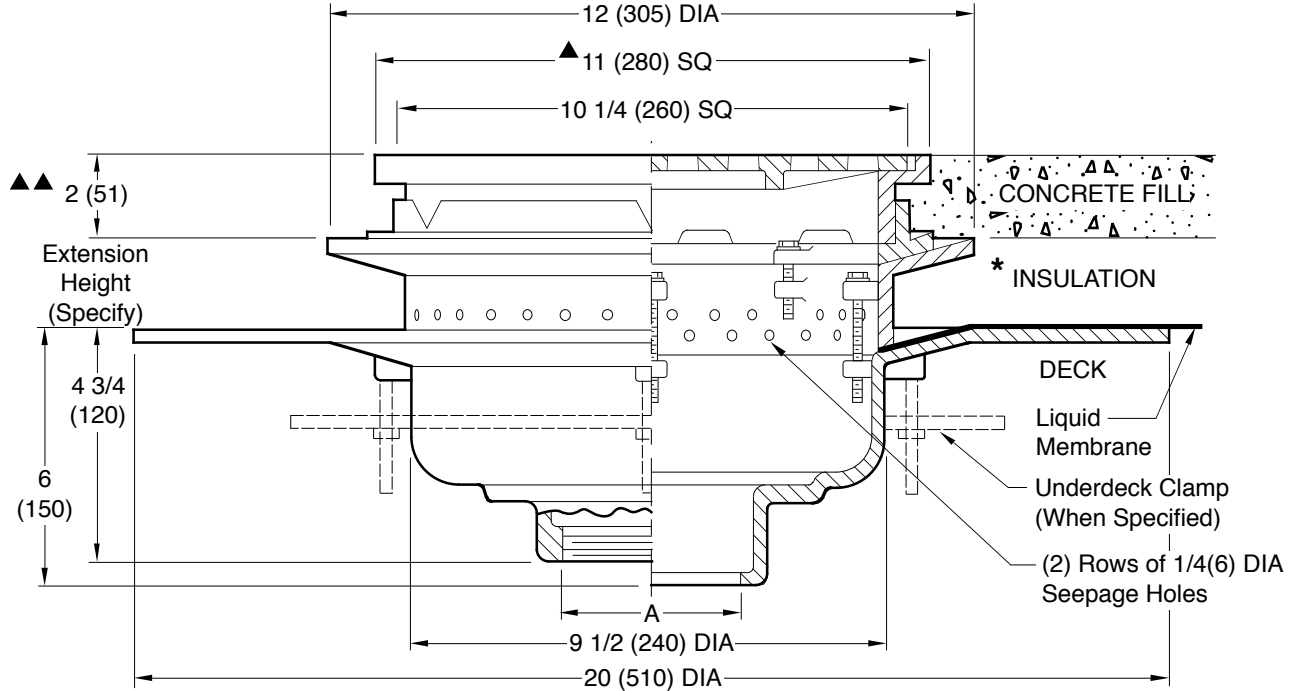
DRAWN BY:  
KG

1469

WE CAN ASSUME NO RESPONSIBILITY FOR USE OF SUPERSEDED OR VOID DATA

DIMENSIONS ARE SUBJECT TO MANUFACTURERS TOLERANCE AND CHANGE WITHOUT NOTICE

## PROMENADE DECK DRAIN FOR INSULATED "LIQUID" MEMBRANE ROOF DECKS



A (Pipe Size) = 02(50), 03(75), 04(100), 05(125) & 06(150)

- Fig. 1469C . . . . CAULK OUTLET
- Fig. 1469T . . . . THREADED OUTLET
- Fig. 1469Y . . . . NO-HUB OUTLET

- ▲ Add 1/4"(6) when bronze top is specified.
- ▲▲ Add 1/8"(3) when bronze top is specified.

recommended deck opening	
with suffix -R	13(330) DIA
less suffix -R	11(280) DIA

**REGULARLY FURNISHED:**  
 Duco Cast Iron Body and Flashing  
 Clamp with Seepage Openings and  
 Secured Square Hole Grate.

- VARIATIONS:**
- Extension (Specify Height) -E
  - Expansion Joint (Specify Fig. 1710)
  - "L" Shaped Underdeck Clamp -CL
  - Secondary Flashing Clamp -C2
  - Sump Receiver -R
  - Underdeck Clamp -C
  - Vandal Proof Grate -U
  - L Speedi-Set Service Weight  
02(50), 03(75) & 04"(100) sizes only
  - LXH Speedi-Set Extra Heavy  
02(50), 03(75) & 04"(100) sizes only

- OPTIONAL MATERIALS:**
- Ductile Iron Grate -M
  - Galvanized Cast Iron -G
  - Nickel Bronze Top -NB
  - Polished Bronze Top -PB

\* On some systems this layer includes a layer of pea gravel and a layer of insulation.

**NOTE:** Dimensions shown in parentheses are in millimeters.

REV.	DATE	DESCRIPTION	BY	CKD. BY	WEIGHT POUNDS	VOLUME CUBIC FEET	FIGURE NUMBER
H	7-21-21	Added Fig. 1469Y	KK	CL			1469
G	8-12-14	Revised Drawing	TBW	CL			
F	6-10-96	Added Millimeters	EMB	BS			
E	2-6-96	Submittal Update	EMB	BS			