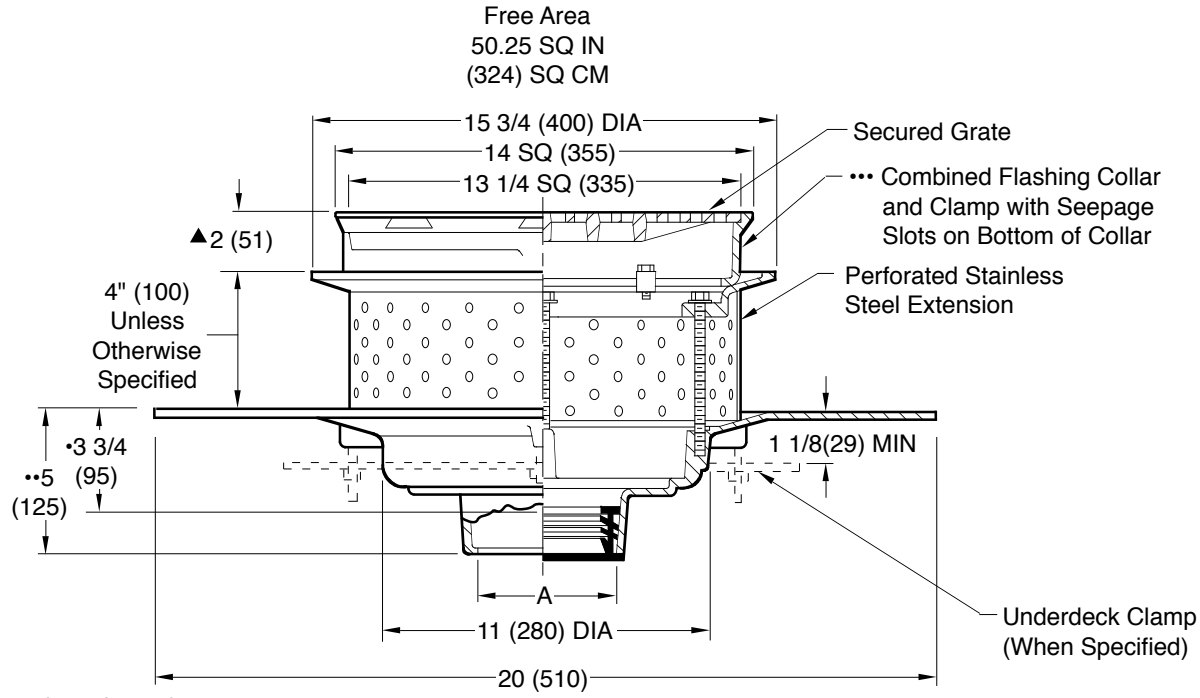


PROMENADE DECK DRAIN

FOR SPECIAL ROOF APPLICATIONS

FUNCTION: Used in roof deck systems where the insulated membrane assembly method of waterproofing is provided. Used where a liquid membrane waterproofing is installed on a flat roof construction which is designed for parking decks or promenades for recreational purposes.



- This Dimension to Internal Stop of Speedi-Set Gasket.
- Same for Caulk, NO-HUB and Speedi-Set. 3 3/4(95) for Threaded.
- Specify Suffix-W for Applications Requiring "Loose-Set" Pavers.
- ▲Add 1/8 "(3) when bronze top is specified.

A (Pipe Size) = 02(50), 03(75), 04(100), 05(125) and 06(150)

- Fig. 1419C CAULK OUTLET
- Fig. 1419Y NO-HUB OUTLET
- Fig. 1419T THREADED OUTLET

NOTE: Recommended deck opening 14" (355)

REGULARLY FURNISHED:

Duco Cast Iron Body, Perforated Stainless Steel Extension, Cast Iron Top Frame and Heavy Duty Secured Grate.

VARIATIONS:

- Expansion Joint (Specify Fig. 1710)
- Extension (Specify Height) -E
- "L" Shaped Underdeck Clamp -CL
- L Speedi-Set Service Weight 02(50), 03(75) & 04"(100) sizes only
- LXH Speedi-Set Extra Heavy 02(50), 03(75) & 04"(100) sizes only
- Underdeck Clamp -C
- Secondary Flashing Clamp -C2

OPTIONAL MATERIALS:

- Ductile Iron Grate -M
- Galvanized Cast Iron -G
- Nickel Bronze Top -NB
- Polished Bronze Top -PB

NOTE: Dimensions shown in parentheses are in millimeters.

NOTE: Floor drains or area drains used to drain areas subject to rainfall should have an open area equal to twice the cross sectional area of the connecting pipe.

DRAWING NUMBER
S1419

SIZE
A

SCALE:
NONE

DATE:
5-24-85

APPROVED BY:
BS

CHECKED BY:
TD

DRAWN BY:
CR

1419

WE CAN ASSUME NO RESPONSIBILITY FOR USE OF SUPERSEDED OR VOID DATA

N	7-25-18	Rev. Var., Add Threaded Outlet	TBW	CL			
M	12/11/03	Removed C2 Variation	JJ	BW			
L	2/2/01	Rev. Opt. Mat.	RN	CL			
K	12/13/99	Submittal Update	JJ	BS			
REV.	DATE	DESCRIPTION	BY	CKD. BY	WEIGHT POUNDS	VOLUME CUBIC FEET	FIGURE NUMBER
							1419