

H



JAY R. SMITH MFG. CO.
 MEMBER OF MORRIS GROUP INTERNATIONAL
 POST OFFICE BOX 3237
 MONTGOMERY, ALABAMA 36109-0237 (USA)
 TEL: 334-277-8520 FAX: 334-272-7396 www.jrsmith.com



MEMBER OF:

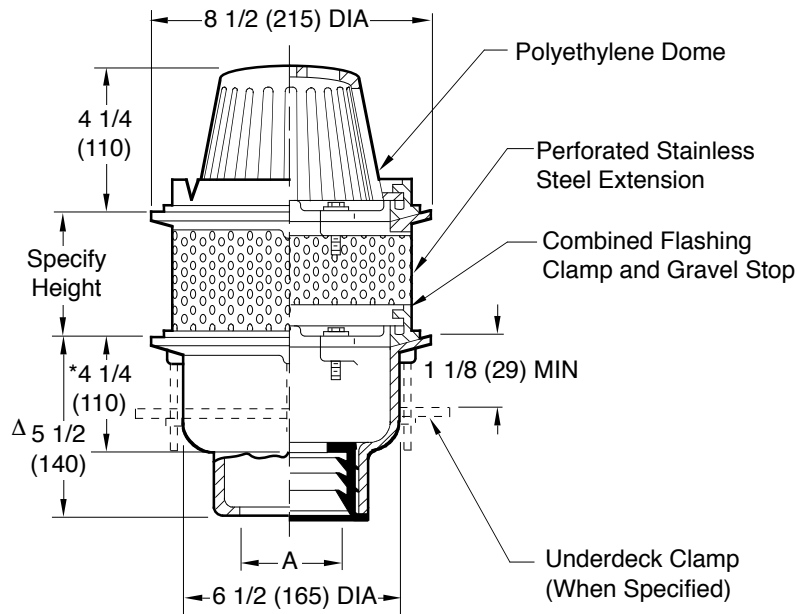
LOCATION

ROOF DRAIN

FOR INSULATED "BUILT-UP" MEMBRANE ROOFS

FUNCTION: Used in roof systems where the insulated membrane assembly method of waterproofing is provided. Used where built-up felt and asphalt waterproofing is installed. A stainless steel extension gravel stop at height specified is supplied to retain the crushed gravel used in IRMA flat roof construction.

Free Area
 41.5 SQ IN
 (268) SQ CM



- Fig. 1357C CAULK OUTLET
- Fig. 1357Y NO-HUB OUTLET

A (Pipe Size) = 02(50), 03(75) or 04(100)

*This Dimension to Internal Stop of Speedi-Set Gasket.
 Δ Same for Caulk, NO-HUB and Speedi-Set, 4 1/4(110) for Threaded.

recommended deck opening

with suffix -R	9(230) DIA
less suffix -R	7 3/4(195) DIA

REGULARLY FURNISHED:

Duco Cast Iron Body with Combined Flashing Clamp, Perforated Stainless Steel Extension and Gravel Stop with Polyethylene Dome.

VARIATIONS:

- Expansion Joint (Specify Fig. 1710)
- 2"(51) High Water Dam -WD
- "L" Shaped Underdeck Clamp -CL
- L Speedi-Set Service Weight
- LXH Speedi-Set Extra Heavy
- Sump Receiver -R
- Underdeck Clamp -C
- Vandal Proof Dome -U
- T Threaded Outlet

OPTIONAL MATERIALS:

- Aluminum Dome -AD
- Cast Iron Dome -CID
- Galvanized Cast Iron -G
- Rough Bronze Dome -RBD

NOTE: Dimensions shown in parentheses are in millimeters.

DRAWING NUMBER
S1357

SIZE
A

SCALE:
NONE

DATE:
2-2-82

APPROVED BY:
JM

CHECKED BY:
JM

DRAWN BY:
KG

1357

DIMENSIONS ARE SUBJECT TO MANUFACTURERS TOLERANCE AND CHANGE WITHOUT NOTICE WE CAN ASSUME NO RESPONSIBILITY FOR USE OF SUPERSEDED OR VOID DATA

H	7-30-19	Removed NOTE	MW	CL
G	11-13-15	Added Flow Rate Note	TBW	aa
F	10-16-08	Rev. Dwg.	RN	CL
E	2-9-05	Revised Reg. Furn. & Opt. Mat.	TBW	BW
REV.	DATE	DESCRIPTION	BY	CKD. BY

WEIGHT POUNDS	VOLUME CUBIC FEET
------------------	----------------------

FIGURE NUMBER
1357