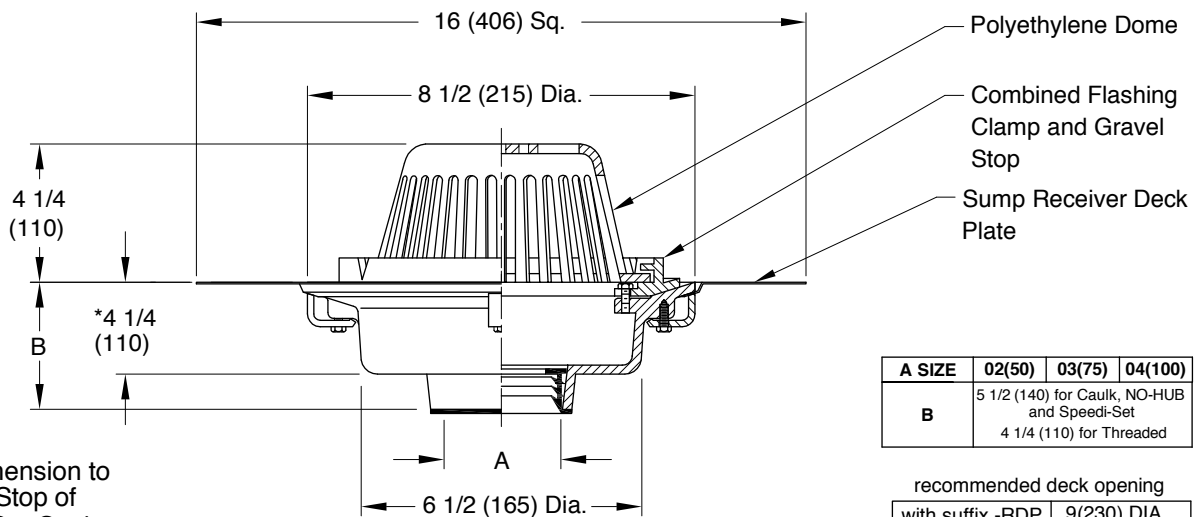
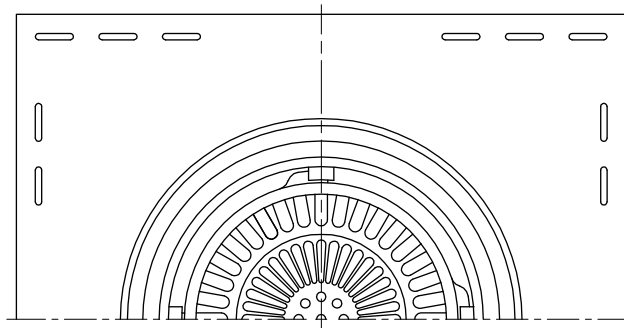


GENERAL PURPOSE ROOF DRAIN

8 1/2" (215) DIAMETER - LOW PROFILE DOME - WITH DECK PLATE

FUNCTION: Used in flat roof of any construction where a small sized drain is required. Low profile dome protects the drain sump and connected piping from the intrusion of debris.

Free Area
 41.5 SQ IN
 (268) SQ CM



* This Dimension to Internal Stop of Speedi-Set Gasket.

A SIZE	02(50)	03(75)	04(100)
B	5 1/2 (140) for Caulk, NO-HUB and Speedi-Set 4 1/4 (110) for Threaded		

recommended deck opening	
with suffix -RDP	9(230) DIA
less suffix -RDP	7 3/4(195) DIA

- Fig. 1330C (-RDP). CAULK OUTLET
- Fig. 1330Y (-RDP).NO-HUB OUTLET

REGULARLY FURNISHED:

Duco Cast Iron body with Attached Deck Plate, Combined Flashing Clamp and Gravel Stop and Polyethylene Dome.

VARIATIONS:

- L Speedi-Set Service Weight Outlet (Fig. 1330 only)
- LXH Speedi-Set Extra Heavy Duty Outlet (Fig. 1330 only)
- T Threaded Outlet Conn.
- Side Outlet (Specify Fig. 1340-RDP)
- Expansion Joint (Specify Fig. 1710 (Fig. 1330 only)
- Extension (Specify Height) -E
- Secondary Flashing Clamp -C2
- Vandal Proof Dome -U
- External Waterdam Collar -WD (Specify Height 2", 3", 4")

OPTIONAL MATERIALS:

- Aluminum Dome -AD
- Cast Iron Dome -CID
- Galvanized Cast Iron Dome -CIDG
- Galvanized Cast Iron Body & Collar -G
- Rough Bronze Dome -RBD

DRAWING NUMBER
S1330-RDP

SIZE
A

SCALE:
NONE

DATE:
11-03-2007

APPROVED BY:
CR

CHECKED BY:
CR

DRAWN BY:
CR

FIGURE NUMBER
1330-RDP

DIMENSIONS ARE SUBJECT TO MANUFACTURERS TOLERANCE AND CHANGE WITHOUT NOTICE WE CAN ASSUME NO RESPONSIBILITY FOR USE OF SUPERSEDED OR VOID DATA

C	7-30-19	Removed NOTE	MW	CL	WEIGHT POUNDS	VOLUME CUBIC FEET	FIGURE NUMBER 1330-RDP
B	11-13-15	Added Flow Rate Note	TBW	BW			
A	3-16-11	Revised Variations	TBW	BW			
REV.	DATE	DESCRIPTION	BY	CKD. BY			