

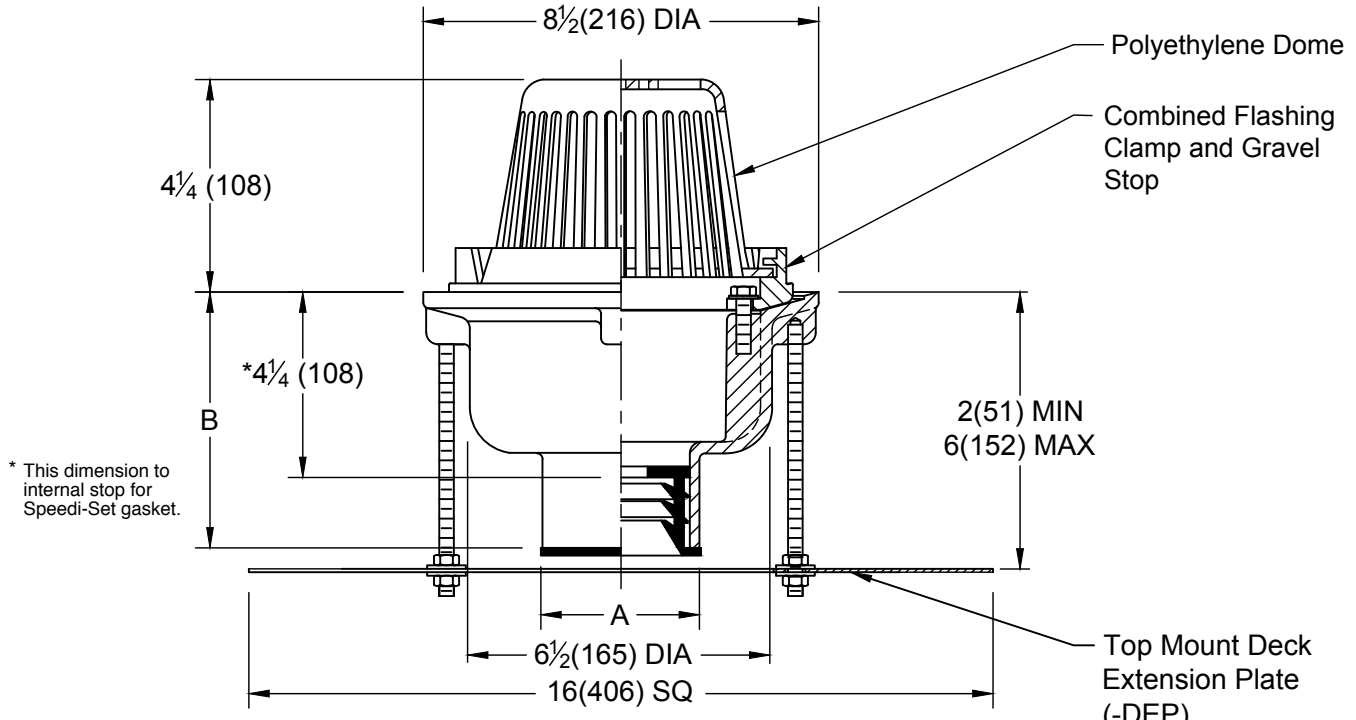
DRAWING NUMBER: **s1330-DEP**
 SIZE: **A**
 SCALE: **NONE**
 DATE: **8-12-2020**
 APPROVED BY: **CL**
 CHECKED BY: **CL**
 DRAWN BY: **MW**
 FIGURE NUMBER: **1330-DEP**

WE CAN ASSUME NO RESPONSIBILITY FOR USE OF SUPERSEDED OR VOID DATA
 DIMENSIONS ARE SUBJECT TO MANUFACTURERS TOLERANCE AND CHANGE WITHOUT NOTICE

GENERAL PURPOSE ROOF DRAIN

8 1/2" DIAMETER - LOW PROFILE DOME

Free Area
 41.5 SQ IN
 (268) SQ CM



* This dimension to internal stop for Speedi-Set gasket.

A SIZE	02 (50)	03 (75)	04 (100)
B	5 1/2 (140) for Caulk, NO-HUB and Speedi-Set. 4 1/4 (108) for Threaded		

Recommended Deck Opening
 9(229) Dia.

- Fig. 1330C-DEP.....CAULK OUTLET
- Fig. 1330T-DEP.....THREADED OUTLET
- Fig. 1330Y-DEP.....NO-HUB OUTLET

REGULARLY FURNISHED:
 Duco Coated Iron Body,
 Combined Flashing Clamp and Gravel Stop and Polyethylene Dome with Top Mount Deck Extension Plate.

- VARIATIONS:**
- L Speedi-Set Service Weight Outlet Conn. (02(50), 03(75), and 04(100) Sizes Only)
 - LXH Speedi-Set Extra Heavy Outlet Conn. (02(50), 03(75) and 04(100) Sizes Only)
 - Vandal Proof Dome -U
 - Solid Water Dam Collar -WD02

- OPTIONAL MATERIALS:**
- Cast Iron Dome -CID
 - Aluminum Dome -AD
 - Galvanized Cast Iron Body and Collar -G
 - Galvanized Cast Iron Dome -CIDG
 - Rough Bronze Dome -RBD

NOTE: Dimensions shown in parentheses are in millimeters

REV.	DATE	DESCRIPTION	BY	CKD. BY	WEIGHT POUNDS	VOLUME CUBIC FEET	FIGURE NUMBER 1330-DEP
------	------	-------------	----	---------	---------------	-------------------	---