

DRAWING NUMBER
s1310-DEP

SIZE
A

SCALE:
NONE

DATE:
8-12-2020

APPROVED BY:
CL

CHECKED BY:
CL

DRAWN BY:
MW

FIGURE NUMBER
1310-DEP

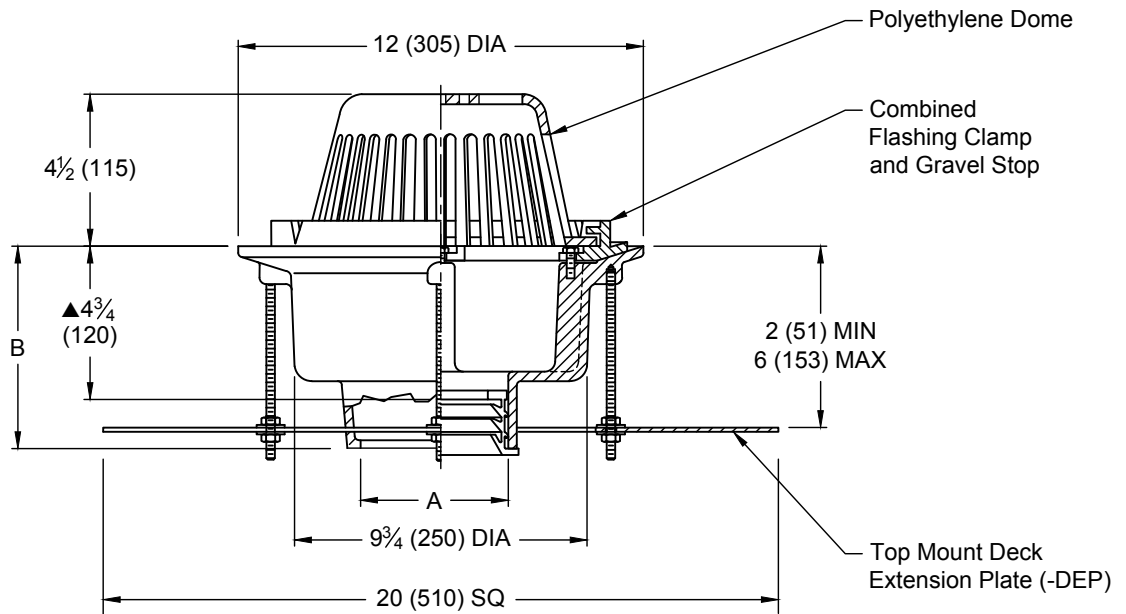
WE CAN ASSUME NO RESPONSIBILITY FOR USE OF SUPERSEDED OR VOID DATA

DIMENSIONS ARE SUBJECT TO MANUFACTURERS TOLERANCE AND CHANGE WITHOUT NOTICE

GENERAL PURPOSE ROOF DRAIN

12" (305) DIAMETER - LOW PROFILE DOME

Free Area
71.50 SQ IN
(461) SQ CM



A SIZE	02 (50)	03 (75)	04 (100)	05 (125)	06 (150)
B	6 (150) for Caulk, NO-HUB and Speedi-Set 4 3/4 (120) for Threaded				

Recommended Deck Opening
13(330) Dia.

- Fig. 1310C-DEP.CAULK OUTLET
- Fig. 1310T-DEP.THREADED OUTLET
- Fig. 1310Y-DEP.NO-HUB OUTLET

REGULARLY FURNISHED:
 Duco Coated Iron Body with Top Mount Deck Extension Plate, Combined Flashing Clamp and Gravel Stop and Polyethylene Dome.

- VARIATIONS:**
- Vandal Proof Dome -U
 - Solid Water Dam Collar -WD02
 - L Speedi-Set Service Weight (02(50), 03(75), 04(100) Sizes Only)
 - LXH Speedi-Set Extra Heavy (02(50), 03(75) and 04(100) Sizes Only)

- OPTIONAL MATERIALS:**
- Cast Iron Dome -CID
 - Aluminum Dome -AD
 - Galvanized Cast Iron Body and Collar -G
 - Galvanized Cast Iron Dome -CIDG
 - Rough Bronze Dome -RBD

NOTE: Dimensions shown in parentheses are in millimeters

REV.	DATE	DESCRIPTION	BY	CKD. BY	WEIGHT POUNDS	VOLUME CUBIC FEET	FIGURE NUMBER 1310-DEP
------	------	-------------	----	---------	---------------	-------------------	----------------------------------