

ROOF DRAINS AND ACCESSORIES

100 Series

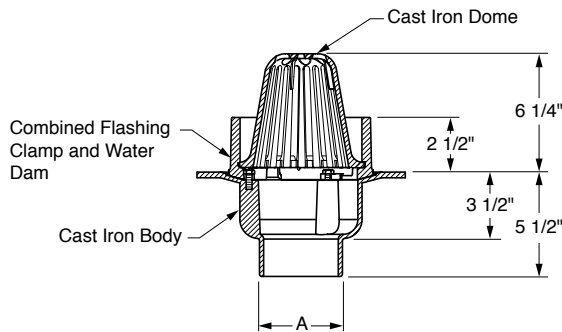
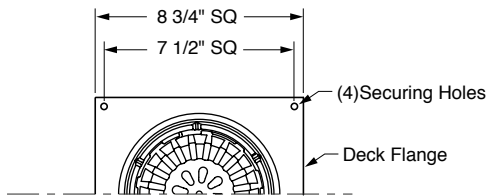
TAG _____

Small Area Overflow Roof Drain, Series 111

Product Description: This cast iron small area overflow roof drain is recommended for use on flat roof installation. It is used as an emergency overflow drain for conventional roofs, draining water when the depth of the water on the roof reaches the water dam height.

Features and Benefits:

- Used on flat roof applications
- Roof drain body, combination flashing clamp and water dam, and dome are all cast iron
- Regularly furnished with 6" high cast iron dome
- All components are coated to protect against corrosion



Series 111

Series Number	Description	Outlet Size "A"	Outlet Type
<input type="checkbox"/> 111-Y02	Cast Iron Roof Drain	2"	No-Hub
<input type="checkbox"/> 111-Y03	Cast Iron Roof Drain	3"	No-Hub
<input type="checkbox"/> 111-Y04	Cast Iron Roof Drain	4"	No-Hub
<input type="checkbox"/> 111-10	6" High Cast Iron Dome		

NOTE: Dimensional data is subject to manufacturing tolerances and change without notice.