

# ROOF DRAINS AND ACCESSORIES

## 100 Series

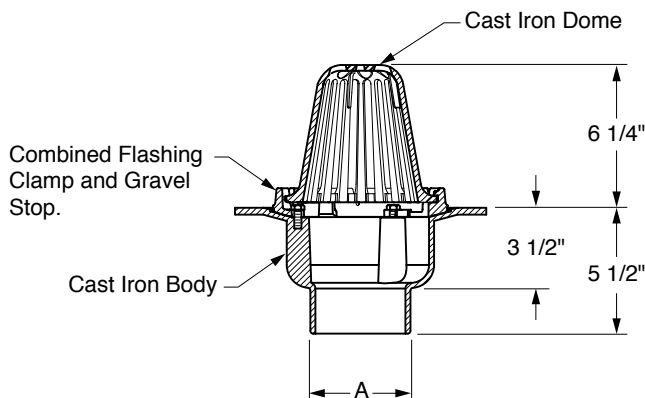
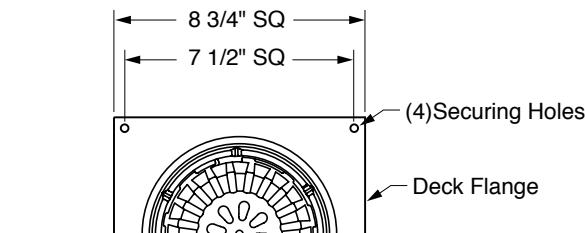
TAG \_\_\_\_\_  
 \_\_\_\_\_

### Small Area Roof Drain, Series 110

**Product Description:** This small area roof drain is recommended for use on flat roof installation. The roof drain is regularly furnished with a cast iron body, combination flashing clamp and gravel stop, and 6" high cast iron dome.

**Features and Benefits:**

- Used on flat roof applications
- Roof drain body, combination flashing clamp and gravel stop, and dome are all cast iron
- Regularly furnished with 6" high cast iron dome
- All components are coated to protect against corrosion



Series 110

| Series Number | Description          | Outlet Size "A" | Outlet Type |
|---------------|----------------------|-----------------|-------------|
| 110-Y02       | Cast Iron Roof Drain | 2"              | No-Hub      |
| 110-Y03       | Cast Iron Roof Drain | 3"              | No-Hub      |
| 110-Y04       | Cast Iron Roof Drain | 4"              | No-Hub      |

NOTE: Dimensional data is subject to manufacturing tolerances and change without notice.