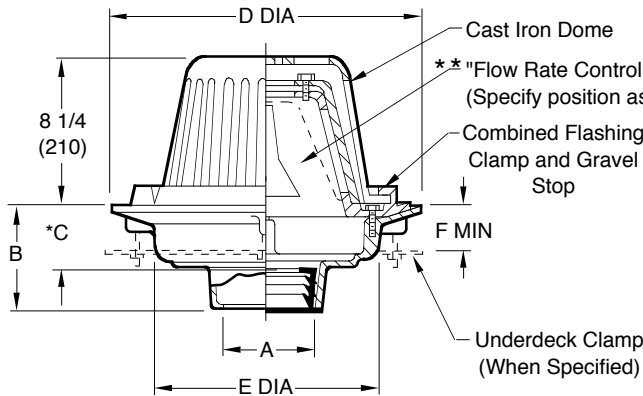


# LARGE SPECIAL PURPOSE ROOF DRAINS

## RAINTROL® ROOF DRAIN SLOPED ROOF DESIGN

**FUNCTION:** Used to control the flow of rain water off a roof. Trapezoidal weirs limit the flow to the leaders. Adjustable to provide various flow rates as required.

Free Area  
 122 SQ IN  
 (787) SQ CM



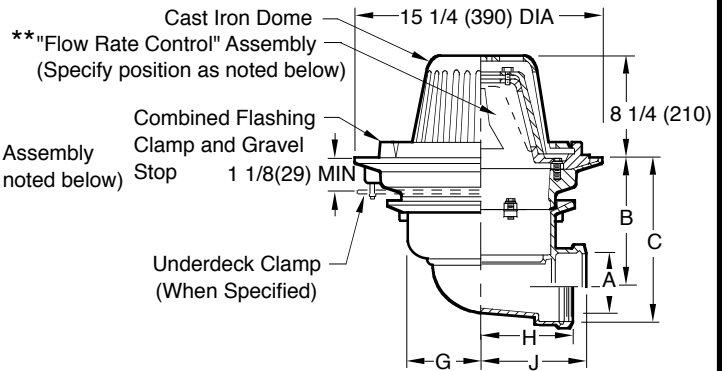
**Fig. 1085C ..... CAULK OUTLET**  
**Fig. 1085Y..... NO-HUB OUTLET**

\*This Dimension to Internal Stop of Speedi-Set Gasket.

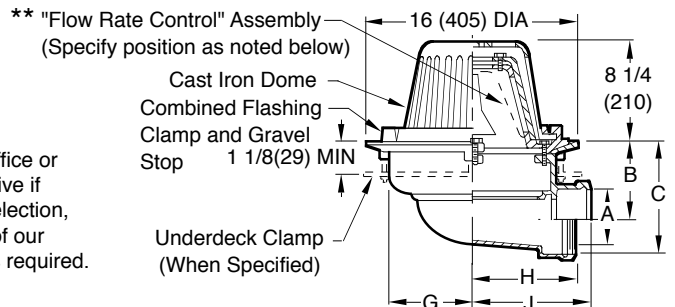
**NOTE:** Please call our main office or your local Representative if more information on selection, sizing and placement of our "Raintrol" roof drains is required.

**recommended deck opening**

outlet size	with suffix-R	less suffix-R
02(50),03(75),04(100)	17(430)	14(355)
05(125),06(150)	DIA	DIA



**Fig. 1089C ..... 02(50), 03(75) & 04"(100) CAULK OUTLET**  
 **Fig. 1089T..... 02(50), 03(75) & 04"(100) THREADED OUTLET**



**Fig. 1089C ..... 05(125) & 06"(150) CAULK OUTLET**  
 **Fig. 1089T..... 05(125) & 06"(150) THREADED OUTLET**

(SIDE OUTLET)

A SIZE	02(50)	03(75)	04(100)	05(125)	06(150)
B	6 7/8 (175)	6 3/8 (162)	5 7/8 (149)	5 (125)	4 1/2 (115)
C	8 5/8 (219)	8 3/4 (220)	8 3/4 (220)	8 1/2 (215)	8 1/2 (215)

A SIZE	B (BOTTOM OUTLET)						SIDE OUTLET		
	CAULK, NO-HUB, & SPEEDI-SET	THREADED	C	D DIA	E DIA	F MIN	G	H	J
02(50),03(75),04(100)	5(125)	3 3/4(95)	3 3/4(95)	15 1/4 (390)	11(280)	1 1/8(29)	4 3/4(120)	6(150)	7 3/4(195)
05(125),06(150)	5(125)	3 3/4(95)	3 3/4(95)	15 1/4(390)	11(280)	1 1/8(29)	6 1/4(160)	6 7/8(175)	7 3/4(195)

**REGULARLY FURNISHED:**

Duco Cast Iron Body with Combined Flashing Clamp and Gravel Stop with Adjustable "Flow Rate Control" Assembly and Cast Iron Dome.

**VARIATIONS:**

- Expansion Joint (Specify Fig. 1710) (Fig. 1085 only)
- Extension -E (Specify Height)
- "L" Shaped Underdeck Clamp -CL
- L Speedi-Set Service Weight  
02(50), 03(75) & 04"(100) sizes only (Fig. 1085 only)
- LXH Speedi-Set Extra Heavy  
02(50), 03(75) & 04"(100) sizes only (Fig. 1085 only)
- NO-HUB Adaptor (Specify Fig. 2646Y) (Fig. 1088 only)
- Secondary Flashing Clamp -C2
- Sump Receiver -R
- Underdeck Clamp -C
- Vandal Proof Dome -U
- T Threaded Outlet

**OPTIONAL MATERIALS:**

- Aluminum Dome -AD
- Galvanized Cast Iron Body & Collar -G
- Galvanized Cast Iron Dome -CIDG

**NOTE:** Dimensions shown in parentheses are in millimeters.

**ALWAYS SPECIFY NUMBER OF WEIR OPENINGS**

(-WR1)	(-WR2)	(-WR3)	(-WR4)
--------	--------	--------	--------

**\*\*NOTE:**

- (-WR1) 1 WEIR OPENING
- (-WR2) 2 WEIR OPENING
- (-WR3) 3 WEIR OPENING
- (-WR4) 4 WEIR OPENING

DRAWING NUMBER  
S1085

SIZE  
A

SCALE:  
NONE

DATE:  
5-24-85

APPROVED BY:  
TD

CHECKED BY:  
TD

DRAWN BY:  
PJ

**1085, 1089**

WE CAN ASSUME NO RESPONSIBILITY FOR USE OF SUPERSEDED OR VOID DATA

DIMENSIONS ARE SUBJECT TO MANUFACTURERS TOLERANCE AND CHANGE WITHOUT NOTICE

J	2-9-22	Revised Optional Materials	KK	CL	WEIGHT POUNDS	VOLUME CUBIC FEET	<b>FIGURE NUMBER</b>  <b>1085, 1089</b>
H	4-15-16	Revised Variations	TBW	CL			
G	5-26-99	Rev. Opt. Mat.	CMD	BS			
F	1-29-96	Added Millimeters	EMB	BS			
REV.	DATE	DESCRIPTION	BY	CKD. BY			