

DRAWING NUMBER
S1083-CAN

SIZE
A

SCALE:
NONE

DATE:
4-25-94

APPROVED BY:

CHECKED BY:

DRAWN BY:
TWK

1083-CAN

FIGURE NUMBER

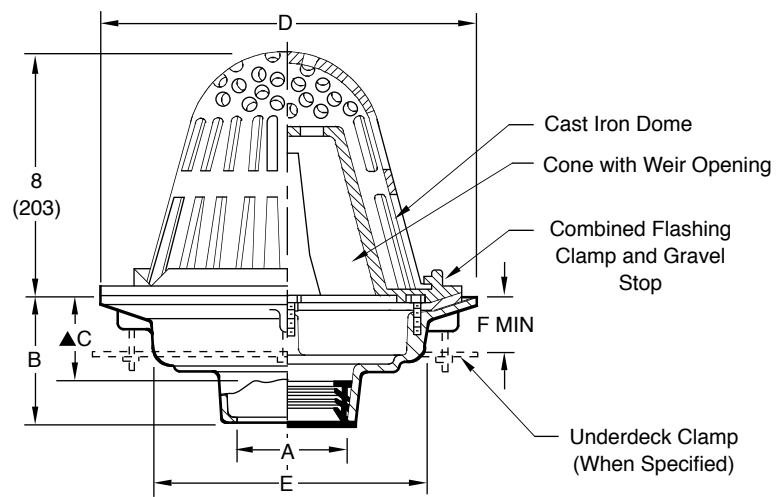
WE CAN ASSUME NO RESPONSIBILITY FOR USE OF SUPERSEDED OR VOID DATA

LARGE SPECIAL PURPOSE ROOF DRAINS

RAINTROL® ROOF DRAIN FLAT OR SLOPED ROOF DESIGN

FUNCTION: Used to control the flow of rain water off a roof. Trapezoidal weir limits the flow to the leader.

Free Area
122 SQ IN



- Fig. 1083C... CAULK OUTLET
- Fig. 1083Y... NO-HUB OUTLET
- Fig. 1083T... THREADED OUTLET

▲ This dimension to internal stop of Speedi-Set gasket

recommended deck opening

| outlet size | with suffix-R | less suffix-R |
|---------------------------|-----------------|-----------------|
| 02,03,04 (50, 75, 100) | 17 DIA (432) | 14 DIA (356) |

| A SIZE | B (BOTTOM OUTLET) | | C | D DIA | E DIA | F MIN | FREE AREA SQ IN |
|---------------------------|------------------------------|---------------|---------------|-----------------|-------------|---------------|-------------------------------|
| | CAULK, NO-HUB, & SPEEDI-SET▲ | THREADED | | | | | |
| 02,03,04 (50, 75, 100) | 5 (127) | 3 3/4 (95) | 3 3/4 (95) | 15 1/4 (387) | 11 (279) | 1 1/8 (29) | 122 (787 cm ²) |

REGULARLY FURNISHED:
 Duco Cast Iron Body with Large Sump and Non-Puncturing Flashing Collar and Gravel Stop with Integral Cone with Weir Opening and Large Cast Iron Dome.

- VARIATIONS:**
- Expansion Joint (See Fig. 1710)
 - Extension (Specify Height) -E
 - "L" Shaped Underdeck Clamp -CL
 - Secondary Flashing Clamp -C2 (Used with Extension Only)
 - Galvanized Sump Receiver -R
 - Underdeck Clamp -C
 - Vandal Proof Dome -U
 - T Threaded Outlet

OPTIONAL MATERIALS:
 Galvanized Cast Iron -G

Dimensions shown in parenthesis are in millimeters

| REV. | DATE | DESCRIPTION | BY | CKD. BY | WEIGHT POUNDS | VOLUME CUBIC FEET | FIGURE NUMBER |
|------|------|-------------|----|---------|---------------|-------------------|-----------------|
| | | | | | | | 1083-CAN |