

# LARGE SPECIAL PURPOSE ROOF DRAINS

## RAINTROL® ROOF DRAIN FLAT ROOF DESIGN

**FUNCTION:** Used to control the flow of rain water off a roof. Trapezoidal weirs limit the flow to the leader. Adjustable to provide various flow rates as required.

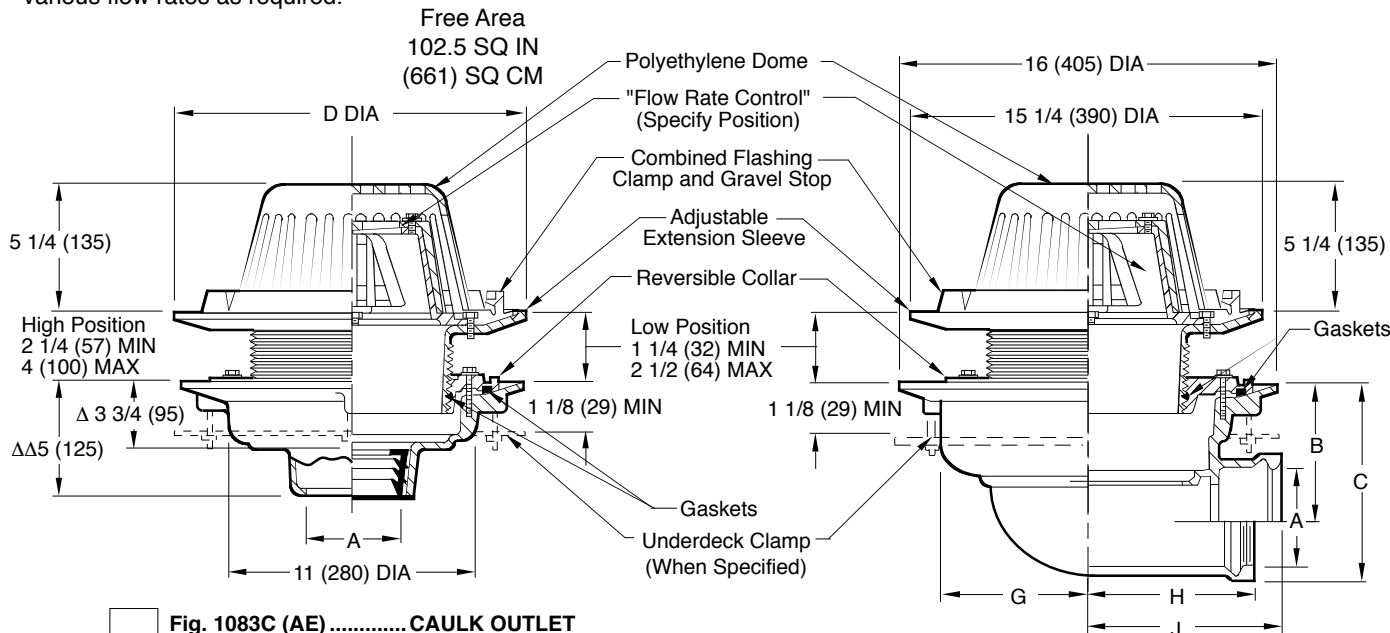


Fig. 1083C (AE) ..... CAULK OUTLET  
 Fig. 1083Y (AE) ..... NO-HUB OUTLET

Fig. 1088C (AE) ..... CAULK OUTLET  
 Fig. 1088T (AE) ..... THREADED OUTLET

**recommended deck opening**

outlet size	with suffix-R	less suffix-R
02(50),03(75),04(100)	17(430)	14(355)
05(125),06(150)	DIA	DIA

**NOTE:** Please call our main office or your local Representative if more information on selection, sizing and placement of our Raintrol® roof drains is required.

Δ This Dimension to Internal Stop of Speedi-Set Gasket.

**NOTE:** 02" thru 04" Bodies use Conversion Collar and 1340 Body (Fig. 1088 Only)

A SIZE	B (BOTTOM OUTLET)						SIDE OUTLET		
	CAULK, NO-HUB, & SPEEDI-SET	THREADED	C	D DIA	E DIA	F MIN	G	H	J
02(50),03(75),04(100)	5(125)	3 3/4(95)	3 3/4(95)	15 1/4 (390)	11(280)	1 1/8(29)	4 3/4(120)	6(150)	7 3/4(195)
05(125),06(150)	5(125)	3 3/4(95)	3 3/4(95)	15 1/4 (390)	11(280)	1 1/8(29)	6 1/4(160)	6 7/8(175)	7 3/4(195)

(SIDE OUTLET)

A SIZE	*02(50)	*03(75)	*04(100)	05(125)	06(150)
B	6 7/8 (175)	6 3/8 (162)	5 7/8 (149)	5 (125)	4 1/2 (115)
C	8 5/8 (219)	8 3/4 (220)	8 3/4 (220)	8 1/2 (215)	8 1/2 (215)

**REGULARLY FURNISHED:**

Duco Cast Iron Body with Combined Flashing Clamp and Gravel Stop with Adjustable "Flow Rate Control" Assembly and Adjustable Extension Sleeve, with Polyethylene Dome.

**VARIATIONS:**

- Expansion Joint (Specify Fig. 1710) (Fig. 1083 only)
- Extension (Specify Height) -E
- "L" Shaped Underdeck Clamp -CL
- L Speedi-Set Service Weight 02(50), 03(75) & 04"(100) sizes only (Fig. 1083 only)
- LXH Speedi-Set Extra Heavy 02(50), 03(75) & 04"(100) sizes only (Fig. 1083 only)
- NO-HUB Adaptor (Specify Fig. 2646Y) (Fig. 1088 only)
- Secondary Flashing Clamp -C2
- Sump Receiver -R
- Underdeck Clamp -C
- Vandal Proof Dome -U
- T Threaded Outlet

**OPTIONAL MATERIALS:**

- ▲ Aluminum Dome -AD
- ▲ Cast Iron Dome -CID
- Galvanized Cast Iron Body & Collar -G
- ▲ Galvanized Cast Iron Dome -CIDG
- ▲ Rough Bronze Dome -RBD

▲ **Optional domes' free area are as follows:**  
 Aluminum 98 (632)  
 Cast Iron 80 (516)  
 Bronze 95 (613)

**NOTE:** Dimensions shown in parentheses are in millimeters.

ALWAYS SPECIFY NUMBER OF WEIR OPENINGS

<input type="checkbox"/>	<input type="checkbox"/>	<input type="checkbox"/>	<input type="checkbox"/>
(-WR1)	(-WR2)	(-WR3)	(-WR4)

\*NOTE:  
 (-WR1) 1 WEIR OPENING  
 (-WR2) 2 WEIR OPENING  
 (-WR3) 3 WEIR OPENING  
 (-WR4) 4 WEIR OPENING

DRAWING NUMBER  
**S1083, 1088-AE**

SIZE  
**A**

SCALE:  
**NONE**

DATE:  
**3-19-08**

APPROVED BY:  
**AM**

CHECKED BY:  
**AM**

DRAWN BY:  
**RN**

FIGURE NUMBER  
**1083,1088-AE**

WE CAN ASSUME NO RESPONSIBILITY FOR USE OF SUPERSEDED OR VOID DATA

DIMENSIONS ARE SUBJECT TO MANUFACTURERS TOLERANCE AND CHANGE WITHOUT NOTICE

B	4-26-16	Revised Variations	TBW	CL	WEIGHT POUNDS	VOLUME CUBIC FEET	FIGURE NUMBER <b>1083,1088-AE</b>
A	06/04/09	Added Optional Dome Notes	JJ	CL			
REV.	DATE	DESCRIPTION	BY	CKD. BY			