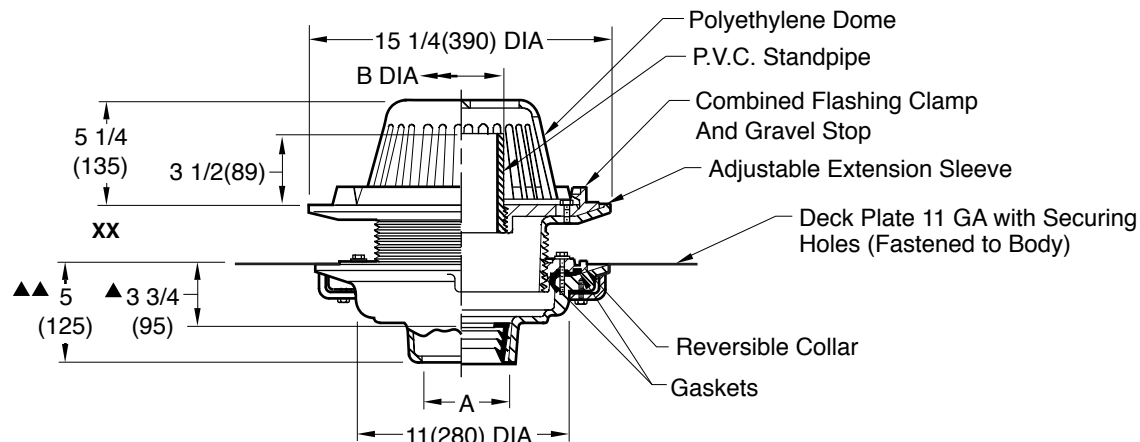
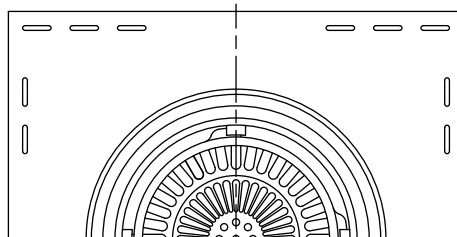


LARGE GENERAL PURPOSE ROOF DRAINS

ADJUSTABLE TOP WITH STANDPIPE

FUNCTION: Used in flat roofs of any construction where a constant height of water is desired on the roof. It is also used on conventional roofs as a safety overflow, which receives water only when the build-up is greater than the setting of the cut standpipe. Standpipe type water dam can be cut to achieve various water depths on the roof. Wide clamping surface holds flashing and roofing materials without puncturing. Large low profile dome provides sufficient free area for quick drainage of rain water and protects the drain sump and connected piping from the intrusion of debris.

Free Area
 102.5 SQ IN
 (661) SQ CM



- ▲ This Dimension to Internal Stop of Speedi-Set Gasket.
- ▲▲ Same for Caulk, NO-HUB and Speedi-Set. 3 3/4(95) for Threaded.

A(Pipe Size)	02(50)	03(75)	04(100)	05(125)	06(150)	08(200)
B (DIA)	4(100)	4(100)	4(100)	6(150)	6(150)	8(200)

XX	MIN	MAX
Low Position	1 1/4(32)	2 1/2(64)
High Position	2 1/4(57)	4(100)

recommended deck opening

with suffix-R	17(430) DIA
less suffix-R	14(355) DIA

- Fig. 1074C-RDP..... CAULK OUTLET
- Fig. 1074Y-RDP..... NO-HUB OUTLET

REGULARLY FURNISHED:
 Duco Cast Iron Body attached Deck Plate with Securing Holes, Adjustable Extension Sleeve, Reversible Collar, P.V.C. Standpipe, Polyethylene Dome, Combined Flashing Clamp and Gravel Stop.

- VARIATIONS:**
- Expansion Joint (Specify Fig. 1710)
 - Extension (Specify Height) -E
 - E02, 2"(51)
 - E04, 4"(100)
 - E06, 6"(150)
 - "L" Shaped Underdeck Clamp -CL
 - L Speedi-Set Service Weight
 - 02(50), 03(75) & 04(100) sizes only
 - LXH Speedi-Set Extra Heavy
 - 02(50), 03(75) & 04(100) sizes only
 - Secondary Flashing Clamp -C2
 - Sump Receiver -R
 - Underdeck Clamp -C
 - Vandal Proof Dome -U
 - T Threaded Outlet

- OPTIONAL MATERIALS:**
- Aluminum Dome -AD
 - Bronze Standpipe -BZS
 - Cast Iron Dome -CID
 - Cast Iron Standpipe -CIS
 - Galvanized Cast Iron Body & Collar -G
 - Galvanized Cast Iron Dome -CIDG
 - Rough Bronze Dome -RBD

NOTE: Dimensions shown in parentheses are in millimeters.

DRAWING NUMBER
S1074-RDP

SIZE
A

SCALE:
NONE

DATE:
5-19-17

APPROVED BY:
CEL

CHECKED BY:
CL

DRAWN BY:
TBW

1074-RDP

WE CAN ASSUME NO RESPONSIBILITY FOR USE OF SUPERSEDED OR VOID DATA

A	7-30-19	Removed NOTE	MW	CL
REV.	DATE	DESCRIPTION	BY	CKD. BY

WEIGHT POUNDS	VOLUME CUBIC FEET	FIGURE NUMBER
		1074-RDP