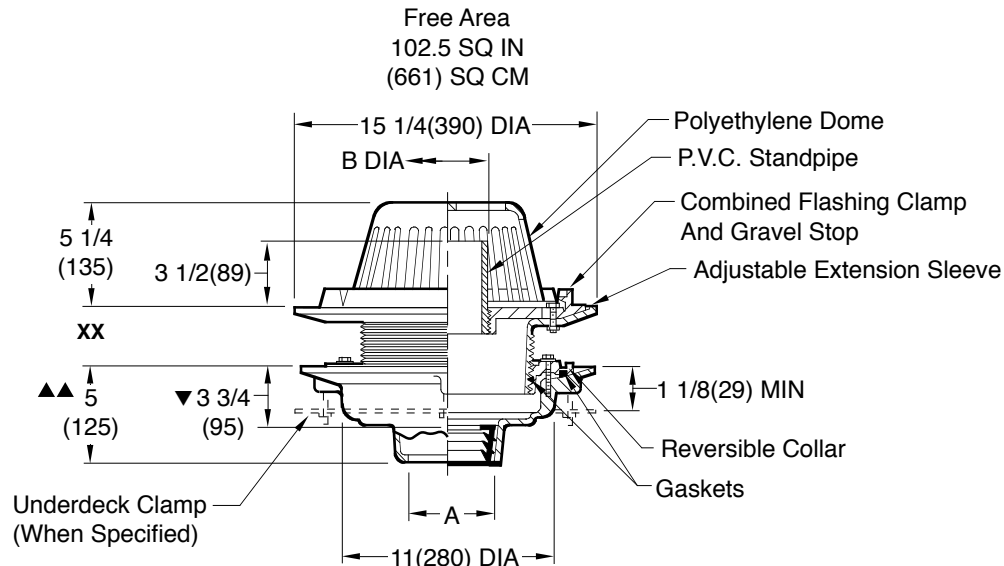


# LARGE GENERAL PURPOSE ROOF DRAINS

## ADJUSTABLE TOP WITH STANDPIPE

**FUNCTION:** Used in flat roofs of any construction where a constant height of water is desired on the roof. It is also used on conventional roofs as a safety overflow, which receives water only when the build-up is greater than the setting of the cut standpipe. Standpipe type water dam can be cut to achieve various water depths on the roof. Wide clamping surface holds flashing and roofing materials without puncturing. Large low profile dome provides sufficient free area for quick drainage of rain water and protects the drain sump and connected piping from the intrusion of debris.



- ▼ This Dimension to Internal Stop of Speedi-Set Gasket.
- ▲▲ Same for Caulk, NO-HUB and Speedi-Set. 3 3/4(95) for Threaded.

A (Pipe Size)	02(50)	03(75)	04(100)	05(125)	06(150)	08(200)
B (DIA)	4(100)	4(100)	4(100)	6(150)	6(150)	8(200)

	XX	MIN	MAX
Low Position	1 1/4(32)	2 1/2(64)	
High Position	2 1/4(57)	4(100)	

- Fig. 1074C . . . . CAULK OUTLET
- Fig. 1074Y . . . . NO-HUB OUTLET

**recommended deck opening**

with suffix-R	17(430) DIA
less suffix-R	14(355) DIA

**REGULARLY FURNISHED:**

Duco Cast Iron Body with Adjustable Extension Sleeve, Reversible Collar, P.V.C. Standpipe, Polyethylene Dome and Combined Flashing Clamp and Gravel Stop.

**VARIATIONS:**

- Expansion Joint (Specify Fig. 1710)
- Extension (Specify Height) -E
  - E02, 2"(51)
  - E04, 4"(100)
  - E06, 6"(150)
- "L" Shaped Underdeck Clamp -CL
- L Speedi-Set Service Weight
  - 02(50), 03(75) & 04(100) sizes only
- LXH Speedi-Set Extra Heavy
  - 02(50), 03(75) & 04(100) sizes only
- Secondary Flashing Clamp -C2
- Sump Receiver -R
- Underdeck Clamp -C
- Vandal Proof Dome -U
- T Threaded Outlet

**OPTIONAL MATERIALS:**

- ▲  Aluminum Dome -AD
- Bronze Standpipe -BZS
- ▲  Cast Iron Dome -CID
- Cast Iron Standpipe -CIS
- Galvanized Cast Iron Body & Collar -G
- ▲  Galvanized Cast Iron Dome -CIDG
- ▲  Rough Bronze Dome -RBD

**▲Optional domes' free area are as follows:**

Aluminum	98 (632)
Cast Iron	80 (516)
Bronze	95 (613)

**NOTE:** Dimensions shown in parentheses are in millimeters.

M	7-30-19	Removed NOTE	MW	CL	WEIGHT POUNDS	VOLUME CUBIC FEET	<b>FIGURE NUMBER</b>  <b>1074</b>
L	10-27-15	Added Flow Rate Note	TBW	BW			
K	06/04/09	Added Optional Dome Notes	JJ	CL			
J	3-13-06	Revised Table	TBW	TWK			
REV.	DATE	DESCRIPTION	BY	CKD. BY			