

M

SMITH® JAY R. SMITH MFG. CO.®
 MEMBER OF MORRIS GROUP INTERNATIONAL
 POST OFFICE BOX 3237
 MONTGOMERY, ALABAMA 36109-0237 (USA)
 TEL: 334-277-8520 FAX: 334-272-7396 www.jrsmith.com

ASPE **APD** **ASSE**
 MEMBER OF:

LOCATION

DRAWING NUMBER
S1072,1075

SIZE
A

SCALE:
NONE

DATE:
5-17-66

APPROVED BY:
BS

CHECKED BY:
BS

DRAWN BY:
WN

1072,1075

FIGURE NUMBER

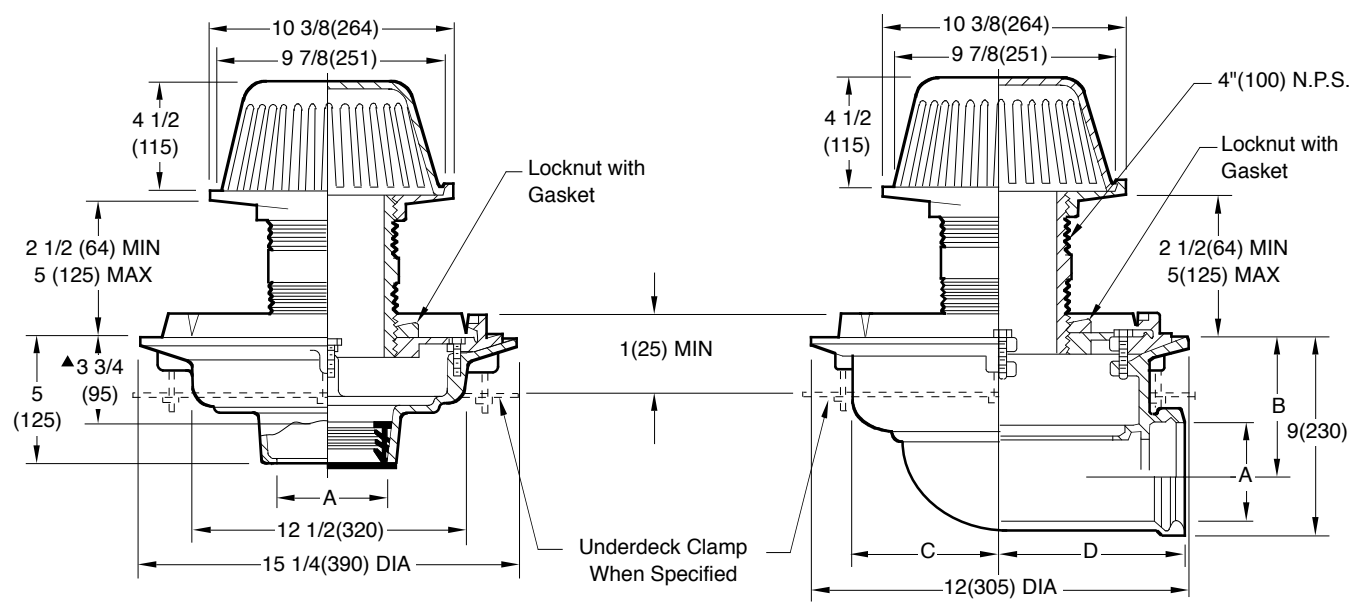
WE CAN ASSUME NO RESPONSIBILITY FOR USE OF SUPERSEDED OR VOID DATA

DIMENSIONS ARE SUBJECT TO MANUFACTURERS TOLERANCE AND CHANGE WITHOUT NOTICE

WATER DAM TYPE ROOF DRAIN

WITH ADJUSTABLE OVERFLOW AND PROTECTIVE DOME

FUNCTION: Used where water has to be retained on roof for it's insulating effect. Dome acts as overflow and protects drain sump and leader from debris intrusion.



A (Pipe Size) =02(50),03(75) or 04(100)

Fig. 1072CCAULK OUTLET
 Fig. 1072YNO-HUB OUTLET

Fig. 1075TTHREADED OUTLET

▲ This Dimension to Internal Stop of Speedi-set Gasket.

A	2(50)	3(75)	4(100)
B	6 7/8(175)	6 3/8(162)	5 7/8(149)
C	4 3/4(120)	4 3/4(120)	4 3/4(120)
D	6(150)	6(150)	6(150)

REGULARLY FURNISHED:
All Duco Cast Iron.

- VARIATIONS:**
- Extension (Specify Height) -E
 - Secondary Flashing Clamp -C2
 - Underdeck Clamp -C
 - Sump Receiver -R

- OPTIONAL MATERIALS:**
- All Galvanized -G
 - Bronze Dome -RBD
 - Aluminum Dome -AD

NOTE: 02(50), 03(75) & 04(100) sizes require a transition collar (not shown in above illustration) which fits between the body & collar.

NOTE: Dimensions shown in parentheses are in millimeters.

M	7-30-19	Removed NOTE	MW	CL	WEIGHT POUNDS	VOLUME CUBIC FEET	FIGURE NUMBER 1072, 1075
L	10-14-15	Added Flow Rate Note	TBW	BW			
K	5-19-08	Revised table, note	TBW	CL			
J	11-2-07	Added To Materials & Variations	RN	CL			
REV.	DATE	DESCRIPTION	BY	CKD. BY			