

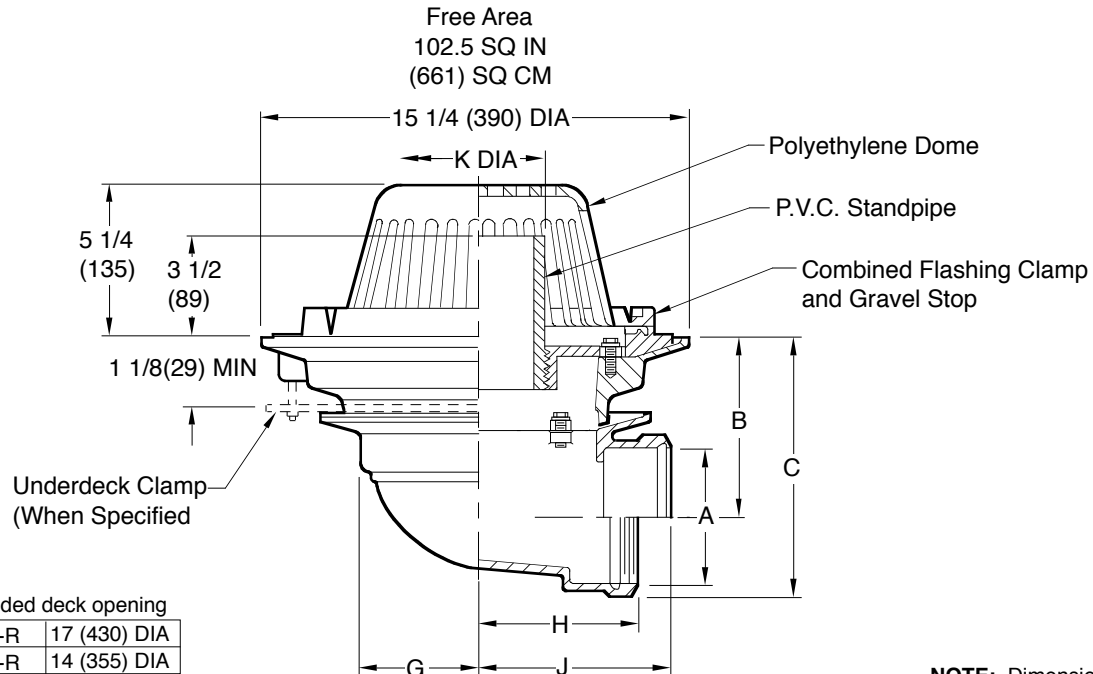
D  
 DRAWING NUMBER S1070-SO  
 SIZE A  
 SCALE: NONE  
 DATE: 10-27-97  
 APPROVED BY: TD  
 CHECKED BY: TD  
 DRAWN BY: CR  
 FIGURE NUMBER 1070-SO

WE CAN ASSUME NO RESPONSIBILITY FOR USE OF SUPERSEDED OR VOID DATA  
 DIMENSIONS ARE SUBJECT TO MANUFACTURERS TOLERANCE AND CHANGE WITHOUT NOTICE

# SPECIAL PURPOSE ROOF DRAINS

## OVERFLOW STANDPIPE TYPE

**FUNCTION:** Used in flat roofs of any construction where a constant height of water is desired on the roof. It is also used on conventional roofs as a safety overflow, which receives water only when the build-up is greater than the setting of the standpipe. Standpipe type water dam can be cut to achieve various water depths on the roof.



recommended deck opening	
with suffix -R	17 (430) DIA
less suffix -R	14 (355) DIA

Fig. 1070-CSO . . . CAULK SIDE OUTLET  
 Fig. 1070-TSO . . . THREADED SIDE OUTLET

**NOTE:** Dimensions shown in parentheses are in millimeters.

A SIZE	SIDE OUTLET			FREE AREA SQ IN (SQ CM)
	G	H	J	
02(50), 03(80), 04 (100)	4 3/4 (120)	6 (150)	7 3/4 (195)	102.5 (661)
05(125) 06(150)	6 1/4 (160)	6 7/8 (175)	7 3/4 (195)	102.5 (661)

A SIZE	02(50)	03(80)	04(100)	05(125)	06(150)
B	6 7/8 (175)	6 3/8 (162)	5 7/8 (149)	5 (125)	4 1/2 (115)
C	8 5/8 (219)	8 3/4 (220)	8 3/4 (220)	8 1/2 (215)	8 1/2 (215)
K	4 (100)	4 (100)	4 (100)	6 (150)	6 (150)

**REGULARLY FURNISHED:**

Duco Cast Iron Body, Flashing Clamp and Gravel Stop with Polyethylene Dome and P.V.C. Standpipe.

**VARIATIONS:**

- Expansion Joint (Specify Fig. 1710)
- Extension (Specify Height) -E
  - E02 2" (51)
  - E04 4" (100)
  - E06 6" (150)
- "L" Shaped Underdeck Clamp -CL
- Secondary Flashing Clamp -C2
- Sump Receiver -R
- Underdeck Clamp =C
- Vandal Proof Dome -U
- T Threaded Outlet

**OPTIONAL MATERIALS:**

- Aluminum Dome -AD
- Bronze Standpipe -BZS
- Cast Iron Dome -CID
- Cast Iron Standpipe -CIS
- Galvanized Cast Iron -G
- Rough Bronze Dome -RBD

**▲ Optional domes' free area are as follows:**

Aluminum	98 (632)
Cast Iron	80 (516)
Bronze	95 (613)

D	7-30-19	Removed NOTE	MW	CL	WEIGHT POUNDS	VOLUME CUBIC FEET	FIGURE NUMBER <b>1070-SO</b>
C	10-13-15	Added Flow Rate Note	TBW	BW			
B	06/04/09	Added Optional Dome Notes	JJ	CL			
A	3-26-07	Revised Table	TBW	TWK			
REV.	DATE	DESCRIPTION	BY	CKD. BY			