

C  
DRAWING NUMBER S1045-WF  
SIZE A  
SCALE: NONE  
DATE: 1-15-03  
APPROVED BY: AL  
CHECKED BY: AM  
DRAWN BY: RN  
FIGURE NUMBER 1045-WF

**SMITH® JAY R. SMITH MFG. CO.®**  
MEMBER OF MORRIS GROUP INTERNATIONAL  
POST OFFICE BOX 3237  
MONTGOMERY, ALABAMA 36109-0237 (USA)  
TEL: 334-277-8520 FAX: 334-272-7396 www.jrsmith.com

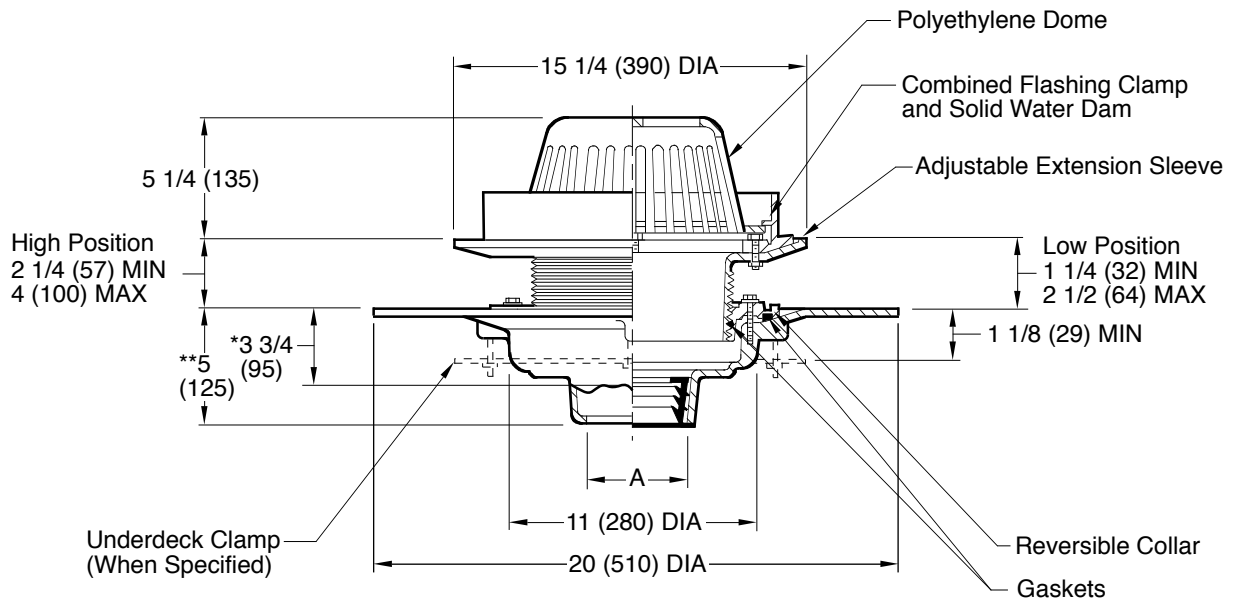


**LOCATION**

# SPECIAL PURPOSE ROOF DRAIN

## WATER DAM TYPE

**FUNCTION:** Used in flat roofs of any construction where a constant height of water is desired on the roof. It may also be used as an emergency overflow for conventional roofs, draining down rain water when the depth of the water on the roof reaches the water dam height.



A (Pipe Size) = 02(50), 03(75), 04(100), 05(125), 06(150) or 08(200)

- Fig. 1045C . . . . CAULK OUTLET
- Fig. 1045Y . . . . NO-HUB OUTLET

\*This dimension to internal stop of Speedi-Set Gasket

\*\*Same for Caulk, NO-HUB and Speedi-Set, 3 3/4(95) for Threaded

**NOTE:** Dimensions shown in parentheses are in millimeters.

recommended deck opening	
with suffix -R	17 (430) DIA
less suffix -R	14 (355) DIA

**REGULARLY FURNISHED:**  
Duco Cast Iron Body with Wide Flange and Adjustable Extension Sleeve, Reversible Collar, Combined Flashing Clamp and Water Dam and Polyethylene Dome.

- VARIATIONS:**
- 2 1/2(64), 3(76) or 4"(100) Water Dams Available -WD
  - Expansion Joint (Specify Fig. 1710)
  - "L" Shaped Underdeck Clamp -CL
  - L Speedi-Set Service Weight 02(50), 03(75) & 04"(100) sizes only
  - LXH Speedi-Set Extra Heavy 02(50), 03(75) & 04"(100) sizes only
  - Removable Water Dam
  - Secondary Flashing Clamp -C2
  - Sump Receiver -R
  - Underdeck Clamp -C
  - T Threaded Outlet

- OPTIONAL MATERIALS:**
- Aluminum Dome -AD
  - Cast Iron Dome -CID
  - Galvanized Cast Iron Body & Collar -G
  - Galvanized Cast Iron Dome -CIDG
  - Rough Bronze Dome -RBD

C	7-30-19	Removed NOTE	MW	CL	WEIGHT POUNDS	VOLUME CUBIC FEET	FIGURE NUMBER <b>1045-WF</b>
B	10-8-15	Added Flow Rate Note	TBW	BW			
A	6-5-06	Revised Dim.	TBW	AM			
REV.	DATE	DESCRIPTION	BY	CKD. BY			