

B

SMITH® JAY R. SMITH MFG. CO.®
 MEMBER OF MORRIS GROUP INTERNATIONAL
 POST OFFICE BOX 3237
 MONTGOMERY, ALABAMA 36109-0237 (USA)
 TEL: 334-277-8520 FAX: 334-272-7396 www.jrsmith.com



LOCATION

DRAWING NUMBER
S1045-RDP

SIZE
A

SCALE:
NONE

DATE:
12/11/09

APPROVED BY:
CEL

CHECKED BY:
CL

DRAWN BY:
RN

1045-RDP

WE CAN ASSUME NO RESPONSIBILITY FOR USE OF SUPERSEDED OR VOID DATA
DIMENSIONS ARE SUBJECT TO MANUFACTURERS TOLERANCE AND CHANGE WITHOUT NOTICE

SPECIAL PURPOSE ROOF DRAIN

WATER DAM TYPE WITH TOP MOUNT ROOF DECK PLATE

FUNCTION: Used in flat roofs of any construction where a constant height of water is desired on the roof. It may also be used as an emergency overflow for conventional roofs, draining down rain water when the depth of the water on the roof reaches the water dam height.

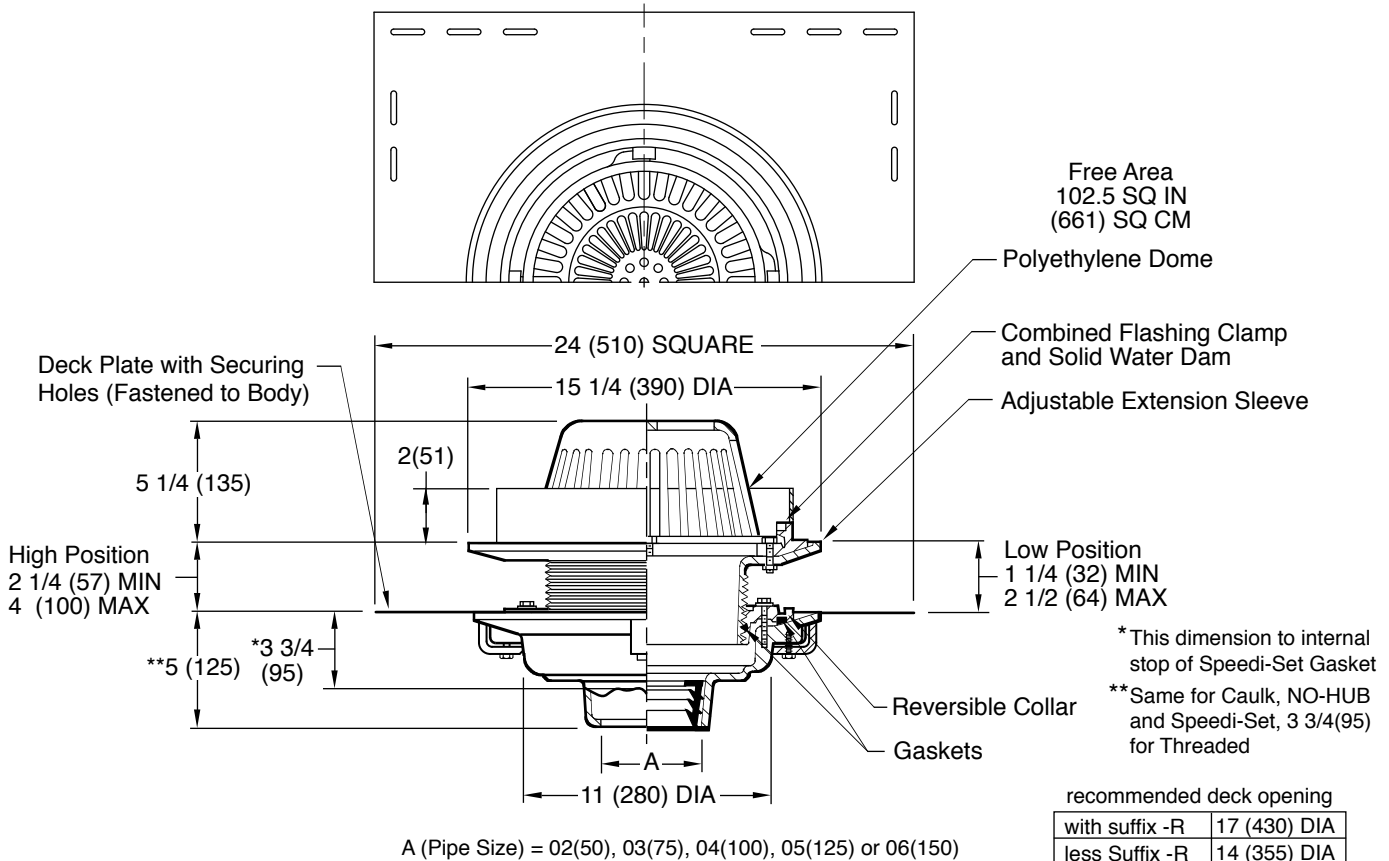


Fig. 1045C-RDP.....CAULK OUTLET
 Fig. 1045Y-RDP.....NO-HUB OUTLET

REGULARLY FURNISHED:

Duco Cast Iron Body with Attached Deck Plate, Adjustable Extension Sleeve, Reversible Collar, Combined Flashing Clamp and Solid Water Dam, with Polyethylene Dome.

VARIATIONS:

- Expansion Joint (Specify Fig. 1710)
- "L" Shaped Underdeck Clamp -CL
- L Speedi-Set Service Weight
02(50), 03(75) & 04"(100) sizes only
- LXH Speedi-Set Extra Heavy
02(50), 03(75) & 04"(100) sizes only
- Secondary Flashing Clamp -C2
- Vandal Proof Dome -U
- T Threaded Outlet
- 2 1/2(64), 3(76) or 4"(100) Water Dams
Available -WD025, -WD03, -WD04

OPTIONAL MATERIALS:

- ▲ Aluminum Dome -AD
 - ▲ Cast Iron Dome -CID
 - ▲ Galvanized Cast Iron -G
 - ▲ Rough Bronze Dome -RBD
- ▲ **Optional domes' free area are as follows:**
 Aluminum 98 (632)
 Cast Iron 80 (516)
 Bronze 95 (613)

NOTE: Dimensions shown in parentheses are in millimeters.

FIGURE NUMBER	B A	7-30-19 10-8-15	Removed NOTE Added Flow Rate Note	MW TBW	CL BW	WEIGHT POUNDS	VOLUME CUBIC FEET	FIGURE NUMBER
REV.	DATE	DESCRIPTION	BY	CKD. BY				1045-RDP