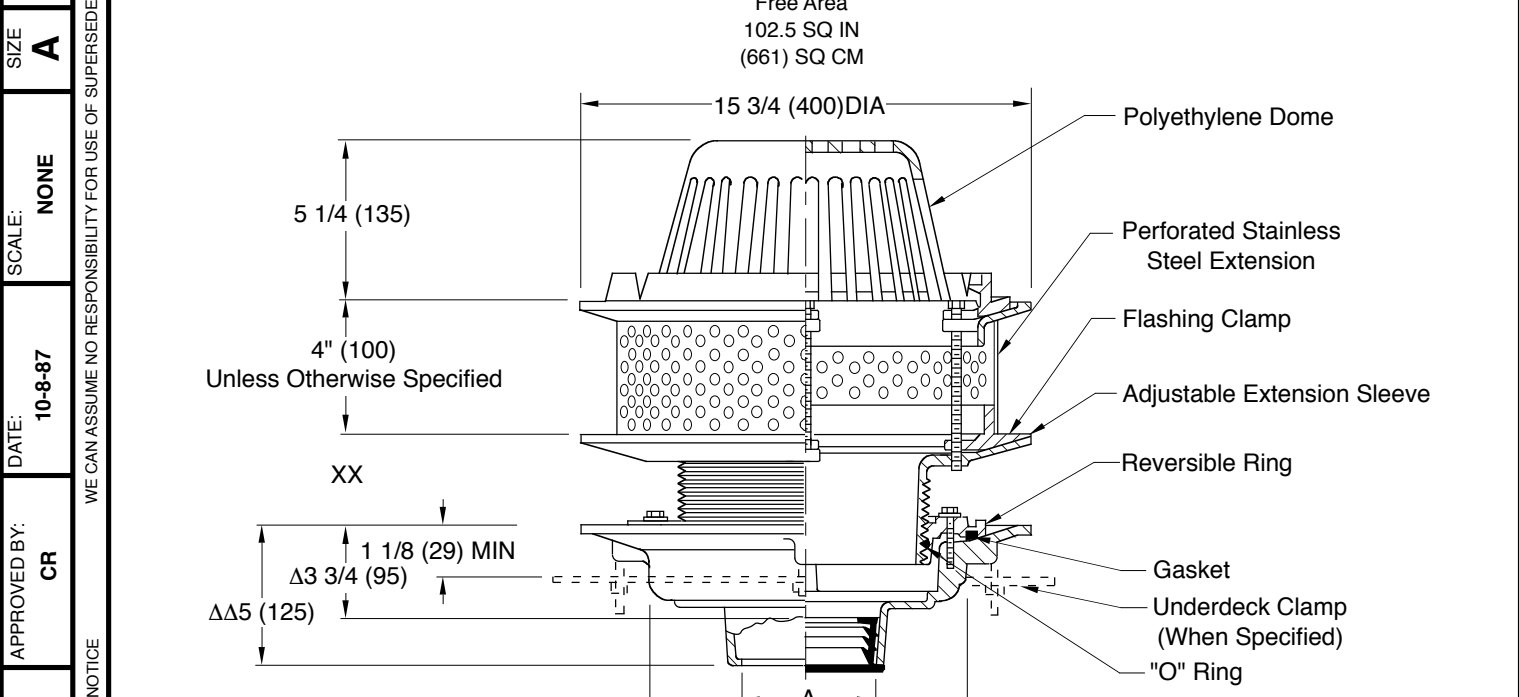


# ROOF DRAINS SPECIAL ROOF APPLICATIONS

**FUNCTION:** Used on roof systems where the insulated membrane assembly method of waterproofing is installed using a liquid membrane. The adjustable extension sleeve permits adjustment from a min. of 1 1/4 (32) to a max of 4 (100) easily accommodating 2 3/4"(70) of varying insulation thicknesses. The positive threading allows smooth perimeter movement and circumferential support of the top at any adjusted elevation. A perforated stainless steel extension is supplied to retain the crushed gravel used in flat roof construction.



Free Area  
102.5 SQ IN  
(661) SQ CM

15 3/4 (400) DIA

5 1/4 (135)

4" (100)  
Unless Otherwise Specified

XX

1 1/8 (29) MIN

Δ3 3/4 (95)

ΔΔ5 (125)

11 (280) DIA

15 3/4 (400) DIA

Polyethylene Dome

Perforated Stainless Steel Extension

Flashing Clamp

Adjustable Extension Sleeve

Reversible Ring

Gasket

Underdeck Clamp (When Specified)

"O" Ring

ΔThis Dimension to Internal Stop of Speedi-Set Gasket.  
 ΔΔSame for caulk, NO-HUB and Speedi-Set, 3 3/4 (95) for Threaded.

**NOTE:** Dimensions shown in parentheses are in millimeters.

A (Pipe Size) = 02(50), 03(75), 04(100),05(125) or 06(150)

recommended deck opening	
with suffix -R	17 (430) DIA
less suffix -R	14 (355) DIA

XX	MIN	MAX
Low Position	1 1/4 (32)	2 1/2 (64)
High Position	2 1/4 (57)	4 (100)

Fig. 1037C . . . CAULK OUTLET  
 Fig. 1037Y . . . NO-HUB OUTLET

- REGULARLY FURNISHED:**  
 Duco Cast Iron Body with Adjustable Extension Sleeve, Perforated Stainless Steel Extension, Combined Flashing Clamp and Gravel Stop, and Polyethylene Dome
- VARIATIONS:**
- Expansion Joint (Specify Fig. 1710) (Fig. 1010 only)
  - Higher Gravel Stop (Specify Height) -HGS
  - "L" Shaped Underdeck Clamp -CL
  - L Speedi-Set Service Weight  
02(50), 03(80), and 04"(100) sizes only (Fig. 1010 only)
  - LXH Speedi-Set Extra Heavy  
02(50), 03(80), and 04"(100) sizes only (Fig. 1010 only)
  - Sump Receiver -R
  - Underdeck Clamp -C
  - Vandal Proof Dome -U
  - T Threaded Outlet
  - Solid Extension
- OPTIONAL MATERIALS:**
- ▲  Aluminum Dome -AD
  - ▲  Cast Iron Dome -CID
  - ▲  Galvanized Cast Iron -G
  - ▲  Rough Bronze Dome -RBD
- ▲Optional domes' free area are as follows:  
 Aluminum 98 (632)  
 Cast Iron 80 (516)  
 Bronze 95 (613)

<b>FIGURE NUMBER</b> 1037	<b>REV.</b>	<b>DATE</b>	<b>DESCRIPTION</b>	<b>BY</b>	<b>CKD. BY</b>	<b>WEIGHT POUNDS</b>	<b>VOLUME CUBIC FEET</b>	<b>FIGURE NUMBER</b> 1037