

# GENERAL PURPOSE ROOF DRAINS

## ROOF DRAIN WITH ADJUSTABLE EXTENSION

**FUNCTION:** Used in flat roofs of any construction. The adjustable extension sleeve permits adjustment from a minimum of 1 1/4"(32) to a maximum of 4 "(100) easily accommodating up to 2 3/4"(70) of varying insulation thicknesses. The positive threading allows smooth perimeter movement and circumferential support of the top at any adjusted elevation. Large low profile dome provides sufficient free area for quick drainage of rainwater and protection against debris.

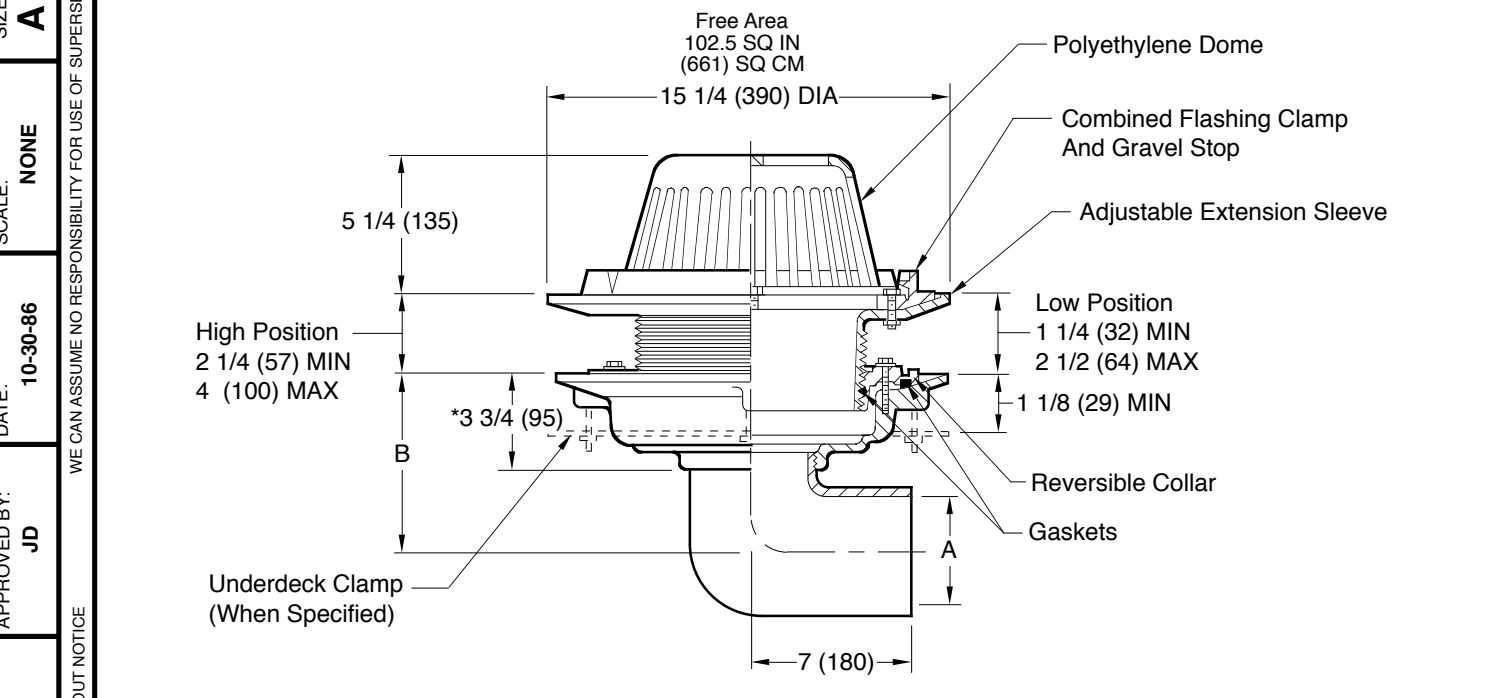


Fig 1025S . . . SPIGOT OUTLET

**NOTE:** Dimensions shown in parentheses are in millimeters.

recommended deck opening

with suffix -R	17 (430) DIA
less suffix -R	14 (355) DIA

A SIZE	02(50)	03(75)	04(100)	05(125)	06(150)
B	5 1/2(140)	6(150)	6 1/4(160)	7(180)	7 1/2(190)

**REGULARLY FURNISHED:**  
 Duco Cast Iron Body with Side Outlet Elbow, Adjustable Extension Sleeve, Reversible Collar, Combined Flashing Clamp and Gravel Stop, with Polyethylene Dome.

- VARIATIONS:**
- "L" Shaped Underdeck Clamp -CL
  - Secondary Flashing Clamp -C2
  - Sump Receiver -R
  - Underdeck Clamp -C
  - Vandal Proof Dome -U

- OPTIONAL MATERIALS:**
- Aluminum Dome -AD
  - Cast Iron Dome -CID
  - Galvanized Cast Iron Body and Collar -G
  - Galvanized Cast Iron Dome -CIDG
  - Rough Bronze Dome -RBD

▲ **Optional domes' free area are as follows:**  
 Aluminum 98 (632)  
 Cast Iron 80 (516)  
 Bronze 95 (613)

DRAWING NUMBER S1025  
 SIZE A  
 SCALE: NONE  
 DATE: 10-30-86  
 APPROVED BY: JD  
 CHECKED BY: CR  
 DRAWN BY: CMB  
 FIGURE NUMBER 1025

WE CAN ASSUME NO RESPONSIBILITY FOR USE OF SUPERSEDED OR VOID DATA  
 DIMENSIONS ARE SUBJECT TO MANUFACTURERS TOLERANCE AND CHANGE WITHOUT NOTICE

L	7-30-19	Removed NOTE	MW	CL	WEIGHT POUNDS	VOLUME CUBIC FEET	FIGURE NUMBER <b>1025</b>
K	9-17-15	Added Flow Rate Note	TBW	BW			
J	06/03/09	Added Optional Dome Notes	JJ	CL			
H	6-5-06	Revised Dim	TBW	AM			
REV.	DATE	DESCRIPTION	BY	CKD. BY			