

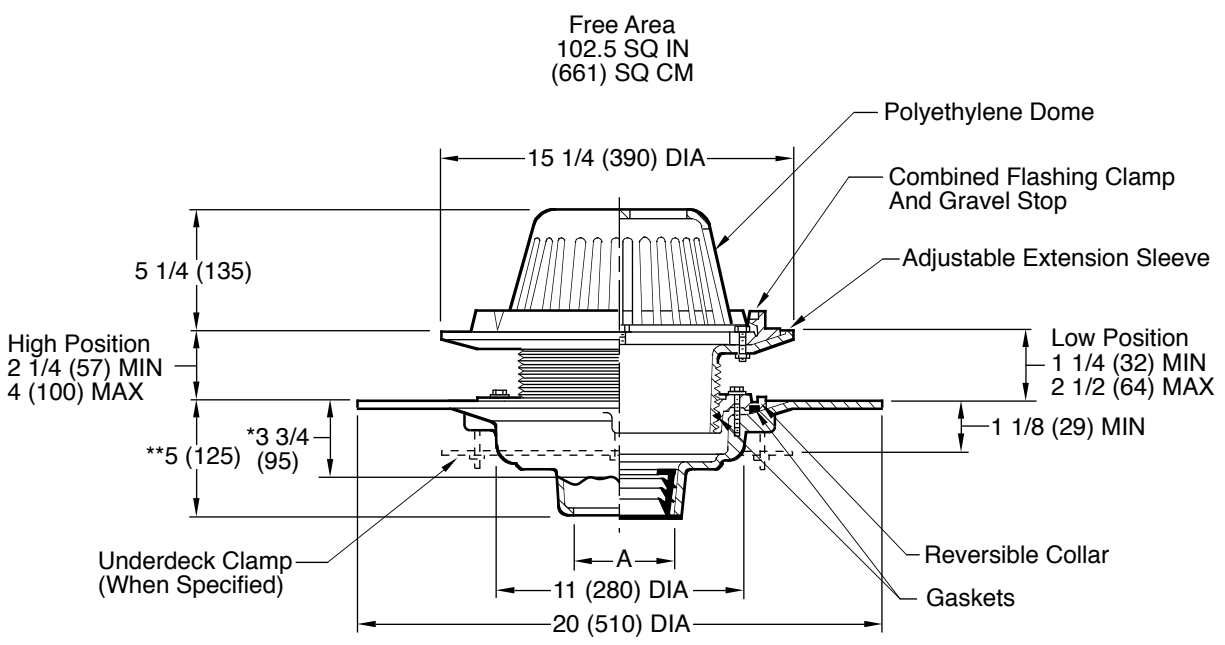
DRAWING NUMBER **S1015-WF**  
 SIZE **A**  
 SCALE: **NONE**  
 DATE: **1-15-03**  
 APPROVED BY: **AM**  
 CHECKED BY: **AM**  
 DRAWN BY: **RN**  
**1015-WF**  
 FIGURE NUMBER

WE CAN ASSUME NO RESPONSIBILITY FOR USE OF SUPERSEDED OR VOID DATA  
 DIMENSIONS ARE SUBJECT TO MANUFACTURERS TOLERANCE AND CHANGE WITHOUT NOTICE

# GENERAL PURPOSE ROOF DRAINS

## ROOF DRAIN WITH ADJUSTABLE EXTENSION

**FUNCTION:** Used in flat roofs of any construction. The adjustable extension sleeve permits adjustment from a minimum of 1 1/4" (32) to a maximum of 4" (100), easily accommodating up to 2 3/4" (70) of varying insulation thicknesses. The positive threading allows smooth perimeter movement and circumferential support of the top at any adjusted elevation. Large low profile dome provides sufficient free area for quick drainage of rainwater and protection against debris.



\*This dimension to internal stop of Speedi-Set Gasket  
 \*\*Same for Caulk, NO-HUB and Speedi-Set, 3 3/4 (95) for Threaded

A (Pipe Size) = 02(50), 03(75), 04(100), 05(125) or 06(150)

- Fig. 1015C . . . . CAULK OUTLET
- Fig. 1015Y . . . . NO-HUB OUTLET

recommended deck opening

with suffix -R	17 (430) DIA
less Suffix -R	14 (355) DIA

**REGULARLY FURNISHED:**  
 Duco Cast Iron Body with Wide Flange and Adjustable Extension Sleeve, Reversible Collar, Combined Flashing Clamp and Gravel Stop with Polyethylene Dome.

- VARIATIONS:**
- Expansion Joint (Specify Fig. 1710)
  - "L" Shaped Underdeck Clamp -CL
  - L Speedi-Set Service Weight 02(50), 03(75) & 04(100)" sizes only
  - LXH Speedi-Set Extra Heavy 02(50), 03(75) & 04(100)" sizes only
  - Secondary Flashing Clamp -C2
  - Sump Receiver -R
  - Underdeck Clamp -C
  - Vandal Proof Dome -U
  - Side Outlet Drain (Specify Fig. 1025)
  - T Threaded Outlet

- OPTIONAL MATERIALS:**
- ▲  Aluminum Dome -AD
  - Cast Iron Dome -CID
  - ▲  Galvanized Cast Iron -G
  - ▲  Rough Bronze Dome -RBD

▲ **Optional domes' free area are as follows:**  
 Aluminum 98 (632)  
 Cast Iron 80 (516)  
 Bronze 95 (613)

**NOTE:** Dimensions shown in parentheses are in millimeters.

D	7-30-19	Removed NOTE	MW	CL	WEIGHT POUNDS	VOLUME CUBIC FEET	FIGURE NUMBER <b>1015-WF</b>
C	8-18-15	Added Flow Rate Note	TBW	BW			
B	06/03/09	Added Optional Dome Notes	JJ	CL			
A	6-6-06	Revised Dim.	TBW	AM			
REV.	DATE	DESCRIPTION	BY	CKD. BY			