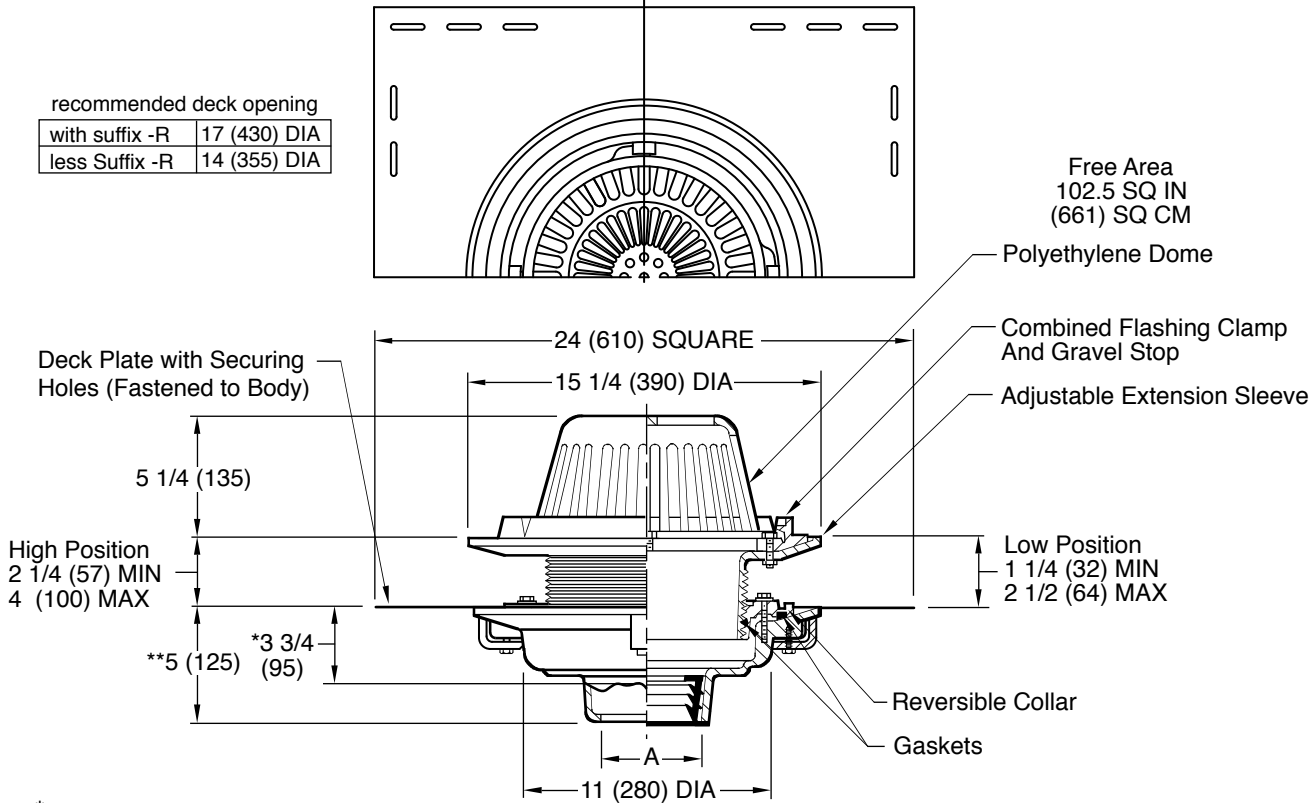


SPECIAL PURPOSE ROOF DRAIN

ROOF DRAIN WITH ADJUSTABLE EXTENSION

FUNCTION: Used in flat roofs of any construction. The adjustable extension sleeve permits adjustment from a minimum of 1 1/4" (32) to a maximum of 4" (100), easily accommodating up to 2 3/4"(70) of varying insulation thicknesses. The positive threading allows smooth perimeter movement and circumferential support of the top at any adjusted elevation. Large low profile dome provides sufficient free area for quick drainage of rainwater and protection against debris. Attached wide deck plate has securing holes enabling drain to be secured to the roof deck from the top surface of the roof.

recommended deck opening	
with suffix -R	17 (430) DIA
less Suffix -R	14 (355) DIA



*This dimension to internal stop of Speedi-Set Gasket
 **Same for Caulk, NO-HUB and Speedi-Set, 3 3/4 (95) for Threaded

A (Pipe Size) = 02(50), 03(75), 04(100), 05(125) or 06(150)

- Fig. 1015C-(RDP) CAULK OUTLET
- Fig. 1015Y-(RDP) NO-HUB OUTLET

REGULARLY FURNISHED:
 Duco Cast Iron Body with Attached Deck Plate with Securing Holes in Deck Plate, Adjustable Extension Sleeve, Reversible Collar, Combined Flashing Clamp and Gravel Stop with Polyethylene Dome.

- VARIATIONS:**
- Expansion Joint (Specify Fig. 1710)
 - "L" Shaped Underdeck Clamp -CL
 - L Speedi-Set Service Weight
02(50), 03(75) & 04(100)" sizes only
 - LXH Speedi-Set Extra Heavy
02(50), 03(75) & 04(100)" sizes only
 - Secondary Flashing Clamp -C2
 - Sump Receiver -R
 - Underdeck Clamp -C
 - Vandal Proof Dome -U
 - Side Outlet Drain (Specify Fig. 1025)
 - T Threaded Outlet

- OPTIONAL MATERIALS:**
- Aluminum Dome -AD
 - Cast Iron Dome -CID
 - Galvanized Cast Iron -G
 - Rough Bronze Dome -RBD

▲ **Optional domes' free area are as follows:**
 Aluminum 98 (632)
 Cast Iron 80 (516)
 Bronze 95 (613)

NOTE: Dimensions shown in parentheses are in millimeters.

DRAWING NUMBER: S1015-RDP
 SIZE: A
 SCALE: NONE
 DATE: 07/18/07
 APPROVED BY: AM
 CHECKED BY: AM
 DRAWN BY: JJ

WE CAN ASSUME NO RESPONSIBILITY FOR USE OF SUPERSEDED OR VOID DATA

1015-RDP

FIGURE NUMBER	C B A	7-30-19 8-18-15 06/01/09	Removed NOTE Added Flow Rate Note Added Optional Dome Notes	MW TBW JJ	CL BW CL	WEIGHT POUNDS	VOLUME CUBIC FEET	FIGURE NUMBER
REV.	DATE	DESCRIPTION	BY	CKD. BY				1015-RDP