

H



**JAY R. SMITH MFG. CO.**  
 MEMBER OF MORRIS GROUP INTERNATIONAL  
 POST OFFICE BOX 3237  
 MONTGOMERY, ALABAMA 36109-0237 (USA)  
 TEL: 334-277-8520 FAX: 334-272-7396 www.jrsmith.com



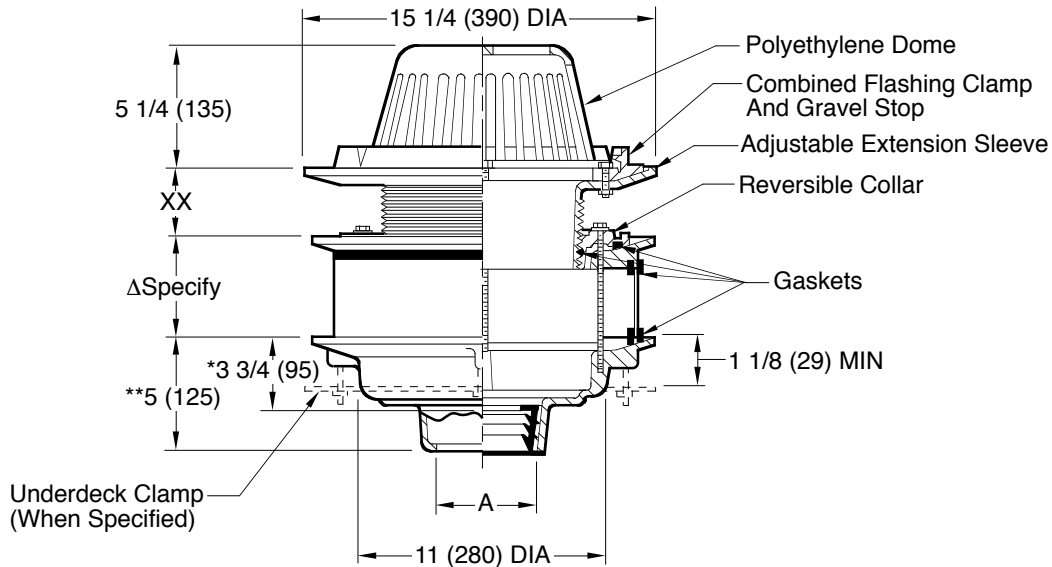
LOCATION

# GENERAL PURPOSE ROOF DRAINS

## WITH ADJUSTABLE EXTENSION

**FUNCTION:** Used in flat roofs of any construction. Large low profile dome provides sufficient free area for quick drainage of rain water and protection against debris. Adjustable extension sleeve and reversible collar allow easy positioning of drain to accommodate varying roof thicknesses. Wide clamping surface holds flashing and roofing material.

Free Area  
 102.5 SQ IN  
 (661) SQ CM



A (Pipe Size) = 02(50), 03(75), 04(100), 05(125), 06(150) or 08(200)

recommended deck opening	
with suffix -R	17 (430) DIA
less suffix -R	14 (355) DIA

- Fig. 1015C (-E) . . . . CAULK OUTLET
- Fig. 1015Y (-E) . . . . NO-HUB OUTLET

	XX	MIN	MAX
LOW POSITION	1 1/4 (32)	2 1/4 (57)	
HIGH POSITION	2 1/2 (64)	4 (100)	

\*This dimension to internal stop of Speedi-Set Gasket

\*\*Same for Caulk, NO-HUB and Speedi-Set, 3 3/4 (95) for Threaded

ΔExt. thru 4" (100) size will be C.I., over 4" (100) will be fabricated stainless steel. (Fab. SS ext. shown)

**NOTE:** Dimensions shown in parentheses are in millimeters.

### REGULARLY FURNISHED:

Duco Cast Iron Body with ΔFixed Extension, Adjustable Extension Sleeve, Reversible Collar, Flashing Clamp and Polyethylene Dome.

### VARIATIONS:

- Expansion Joint (Specify Fig. 1710)
- "L" Shaped Underdeck Clamp -CL
- L Speedi-Set Service Weight  
02(50), 03(80) & 04"(100) sizes only
- LXH Speedi-Set Extra Heavy  
02(50), 03(80) & 04"(100) sizes only
- Secondary Flashing Clamp -C2
- Sump Receiver -R
- Underdeck Clamp -C
- Vandal Proof Dome -U
- With Seepage Holes -WSH
- T Threaded Outlet

### OPTIONAL MATERIALS:

- ▲  Aluminum Dome -AD
- ▲  Cast Iron Dome -CID
- Galvanized Cast Iron -G
- ▲  Rough Bronze Dome -RBD

▲ **Optional domes' free area are as follows:**

Aluminum	98 (632)
Cast Iron	80 (516)
Bronze	95 (613)

DRAWING NUMBER  
S1015 (-E)

SIZE  
A

SCALE:  
NONE

DATE:  
8-14-86

APPROVED BY:  
SB

CHECKED BY:  
TD

DRAWN BY:  
VGD

1015 (-E)

WE CAN ASSUME NO RESPONSIBILITY FOR USE OF SUPERSEDED OR VOID DATA

DIMENSIONS ARE SUBJECT TO MANUFACTURERS TOLERANCE AND CHANGE WITHOUT NOTICE

H 7-30-19

G 8-18-15

F 06/01/09

E 6-5-06

Removed NOTE

Added Flow Rate Note

Added Optional Dome Notes

Revised Dim.

MW

TBW

JJ

TBW

CL

BW

CL

AM

WEIGHT  
POUNDS

VOLUME  
CUBIC FEET

FIGURE NUMBER

1015 (-E)

REV.	DATE	DESCRIPTION	BY	CKD. BY



WARNING: Cancer and Reproductive Harm - www.P65Warnings.ca.gov