

GENERAL PURPOSE ROOF DRAINS

ROOF DRAIN WITH ADJUSTABLE EXTENSION

FUNCTION: Used in flat roofs of any construction. Large low profile dome provides sufficient free area for quick drainage of rain water and protection against debris. Wide clamping surface holds flashing and roofing material.

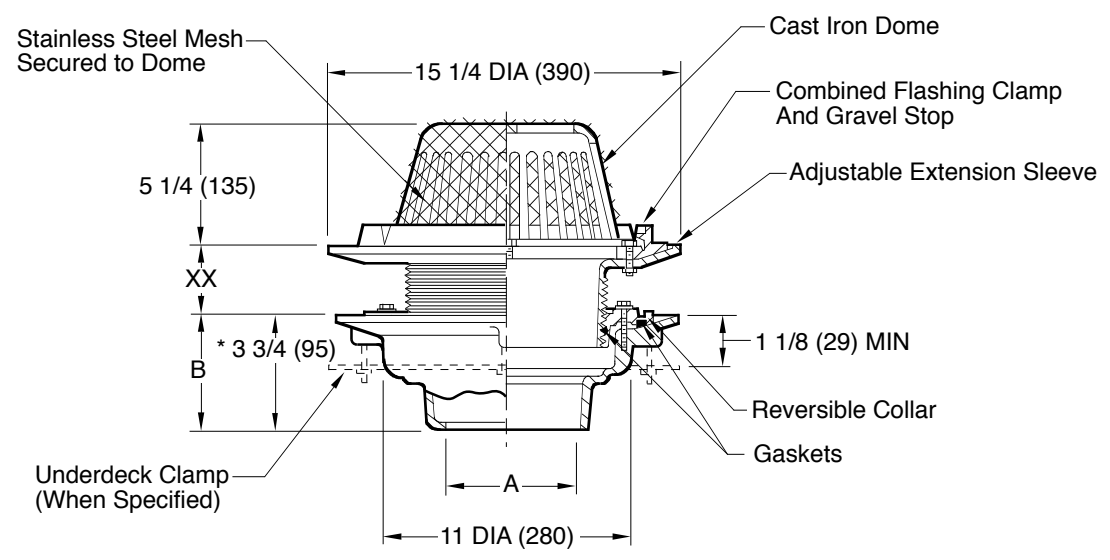


Fig. 1015C-39 CAULK OUTLET
 Fig. 1015Y-39 NO-HUB OUTLET

A SIZE	02(50)	03(75)	04(100)	05(125)	06(150)
B	5(125) for Caulk, NO-HUB and Speedi-Set 3 1/4(95) for Threaded				

recommended deck opening

with suffix -R	17 (430) DIA
less suffix -R	14 (355) DIA

*This Dimension to Internal Stop of Speedi-Set Gasket

	XX	MIN	MAX
LOW POSITION	1 1/4 (32)	2 1/4 (57)	
HIGH POSITION	2 1/2 (64)	4 (100)	

REGULARLY FURNISHED:
 Duco Cast Iron Body with Cast Iron Adjustable Extension Sleeve, Reversible Collar, Cast Iron Combined Flashing Clamp and Gravel Stop, Cast Iron Dome with Stainless Steel Mesh.

- VARIATIONS:**
- Expansion Joint (Specify Fig. 1710)
 - "L" Shaped Underdeck Clamp -CL
 - L Speedi-Set Service Weight
02(50), 03(80) & 04(100) sizes only
 - LXH Speedi-Set Extra Heavy
02(50), 03(80) & 04(100) sizes only
 - Sump Receiver -R
 - Underdeck Clamp -C
 - Vandal Proof Dome -U
 - T Threaded Outlet

- OPTIONAL MATERIALS:**
- Aluminum Dome -AD
 - Galvanized Cast Iron -G
 - Rough Bronze Dome -RBD
 - Polyethylene Dome -PD

NOTE: Dimensions shown in parentheses are in millimeters.

DRAWING NUMBER S1015-39

SIZE A

SCALE: NONE

DATE: 4-26-86

APPROVED BY: SJM

CHECKED BY: CR

DRAWN BY: CM

1015-39

FIGURE NUMBER

WE CAN ASSUME NO RESPONSIBILITY FOR USE OF SUPERSEDED OR VOID DATA

DIMENSIONS ARE SUBJECT TO MANUFACTURERS TOLERANCE AND CHANGE WITHOUT NOTICE

E	7-30-19	Removed NOTE	MW	CL	WEIGHT POUNDS	VOLUME CUBIC FEET	FIGURE NUMBER 1015-39
D	8-18-15	Added Flow Rate Note	TBW	BW			
C	6-5-06	Revised Dim	TBW	AM			
B	5-15-95	Submittal Update	EMB	BS			
REV.	DATE	DESCRIPTION	BY	CKD. BY			