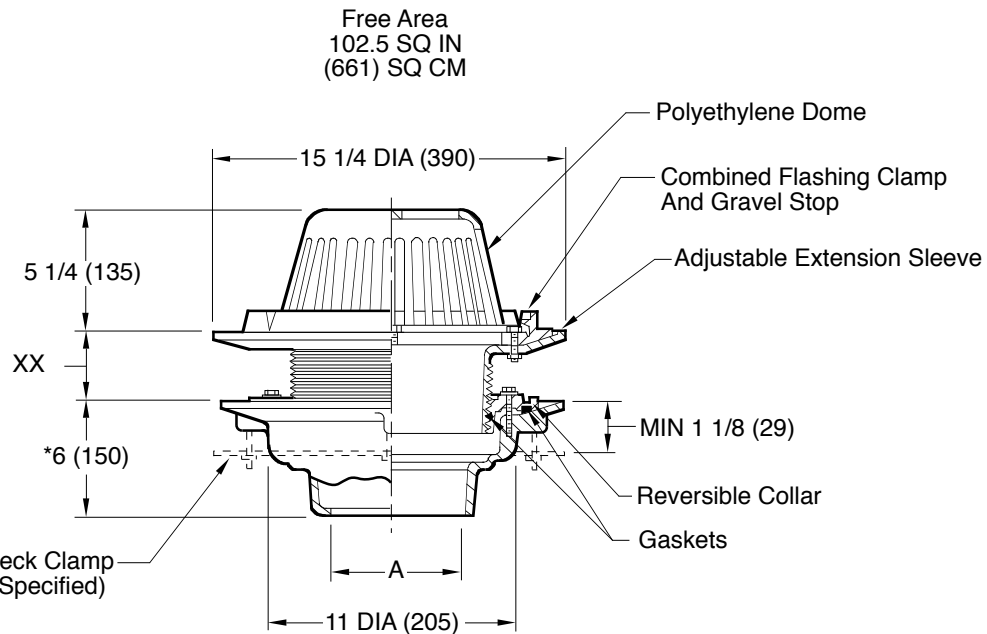


GENERAL PURPOSE ROOF DRAINS

ROOF DRAIN WITH ADJUSTABLE EXTENSION

FUNCTION: Used in flat roofs of any construction. The adjustable extension sleeve permits adjustment from a minimum of 1 1/4" (32) to a maximum of 4" (100), easily accommodating up to 2 3/4" (70) of varying insulation thicknesses. The positive threading allows smooth perimeter movement and circumferential support of the top at any adjusted elevation. Large low profile dome provides sufficient free area for quick drainage of rainwater and protection against debris.



* Same for Caulk and No-Hub, 5 (125) for Threaded.

- Fig. 1015C-16 CAULK OUTLET
- Fig. 1015Y-16 NO-HUB OUTLET

recommended deck opening

with suffix -R	17 (430) DIA
less suffix -R	14 (355) DIA

XX	MIN	MAX
LOW POSITION	1 1/4 (32)	2 1/4 (57)
HIGH POSITION	2 1/2 (64)	4 (100)

REGULARLY FURNISHED:
 Duco Cast Iron Body with Adjustable Extension Sleeve, Reversible Collar, Combined Flashing Clamp and Gravel Stop with Polyethylene Dome.

- VARIATIONS:**
- Expansion Joint (Specify Fig. 1710)
 - "L" Shaped Underdeck Clamp -CL
 - Secondary Flashing Clamp -C2
 - Sump Receiver -R
 - Underdeck Clamp -C
 - Vandal Proof Dome -U
 - T Threaded Outlet

- OPTIONAL MATERIALS:**
- ▲ Aluminum Dome -AD
 - ▲ Cast Iron Dome -CID
 - ▲ Galvanized Cast Iron -G
 - ▲ Rough Bronze Dome -RBD

▲ **Optional domes free area are as follows:**
 Aluminum 98 (632)
 Cast Iron 80 (516)
 Bronze 95 (613)

NOTE: Dimensions shown in parentheses are in millimeters.

DRAWING NUMBER: S1015-08
 SIZE: A
 SCALE: NONE
 DATE: 10-23-87
 APPROVED BY: BS
 CHECKED BY: TD
 DRAWN BY: EMB
1015-08"
 FIGURE NUMBER

WE CAN ASSUME NO RESPONSIBILITY FOR USE OF SUPERSEDED OR VOID DATA

DIMENSIONS ARE SUBJECT TO MANUFACTURERS TOLERANCE AND CHANGE WITHOUT NOTICE

G	7-30-19	Removed NOTE	MW	CL	WEIGHT POUNDS	VOLUME CUBIC FEET	FIGURE NUMBER 1015-08"
F	8-18-15	Added Flow Rate Note	TBW	BW			
E	02/19/10	Added * Note, -16 to Fig. No.	JJ	CL			
D	06/03/09	Added Optional Dome Notes	JJ	CL			
REV.	DATE	DESCRIPTION	BY	CKD. BY			