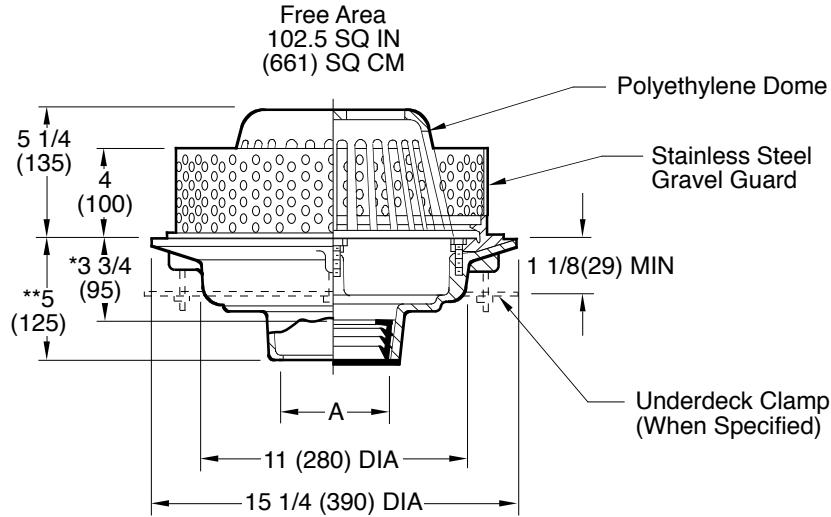


ROOF DRAINS

IRMA ROOF APPLICATIONS

FUNCTION: Used in roof systems where the insulated membrane assembly method of waterproofing is provided. Fig. 1011 is used where built-up felt and asphalt waterproofing is installed. A 4"(100) high perforated stainless steel gravel stop is supplied to retain the crushed gravel used in IRMA flat roof construction.



A (Pipe Size) = 02(50), 03(75), 04(100), 05(125) or 06(150)

Fig. 1011C CAULK OUTLET
 Fig. 1011Y NO-HUB OUTLET

* This dimension to internal stop of Speedi-Set Gasket
 **Same for Caulk, NO-HUB and Speedi-Set, 3 3/4(95) for Threaded

recommended deck opening

with suffix -R	17(430) DIA
less Suffix -R	14(355) DIA

REGULARLY FURNISHED:

Duco Cast Iron Body with Flashing Clamp, 1/16"(2) Thick, 4"(100) High Stainless Steel Perforated Gravel Stop with 3/8"(10) Dia. Openings and Polyethylene Dome.

VARIATIONS:

- Expansion Joint (Specify Fig. 1710)
- Gravel Guard -GG (Specify Height)
- "L" Shaped Underdeck Clamp -CL
- L Speedi-Set Service Weight 02(50), 03(75) & 04"(100) sizes only
- LXH Speedi-Set Extra Heavy 02(50), 03(75) & 04"(100) sizes only
- Sump Receiver -R
- Underdeck Clamp -C
- Vandal Proof Dome -U
- T Threaded Outlet

OPTIONAL MATERIALS:

- ▲ Aluminum Dome -AD
- ▲ Cast Iron Dome -CID
- Cast Iron Dome w/SS Mesh -CIDS
- Galvanized Cast Iron Body & Collar -G
- ▲ Galvanized Cast Iron Dome -CIDG
- ▲ Rough Bronze Dome -RBD

▲Optional domes' free area are as follows:
 Aluminum 98 (632)
 Cast Iron 80 (516)
 Bronze 95 (613)

NOTE: Dimensions shown in parentheses are in millimeters.

DRAWING NUMBER
S1011

SIZE
A

SCALE:
NONE

DATE:
5-24-85

APPROVED BY:
TD

CHECKED BY:
TD

DRAWN BY:
BS

1011

FIGURE NUMBER

WE CAN ASSUME NO RESPONSIBILITY FOR USE OF SUPERSEDED OR VOID DATA

J H G F	7-30-19 8-3-15 06/01/09 5-26-99	Removed NOTE Added Flow Rate Note Added Optional Dome Notes Changed	MW TBW JJ CMD	CL BW CL BS	WEIGHT POUNDS	VOLUME CUBIC FEET	FIGURE NUMBER 1011
REV.	DATE	DESCRIPTION	BY	CKD. BY			