

G

SMITH® JAY R. SMITH MFG. CO.®
 MEMBER OF MORRIS GROUP INTERNATIONAL
 POST OFFICE BOX 3237
 MONTGOMERY, ALABAMA 36109-0237 (USA)
 TEL: 334-277-8520 FAX: 334-272-7396 www.jrsmith.com

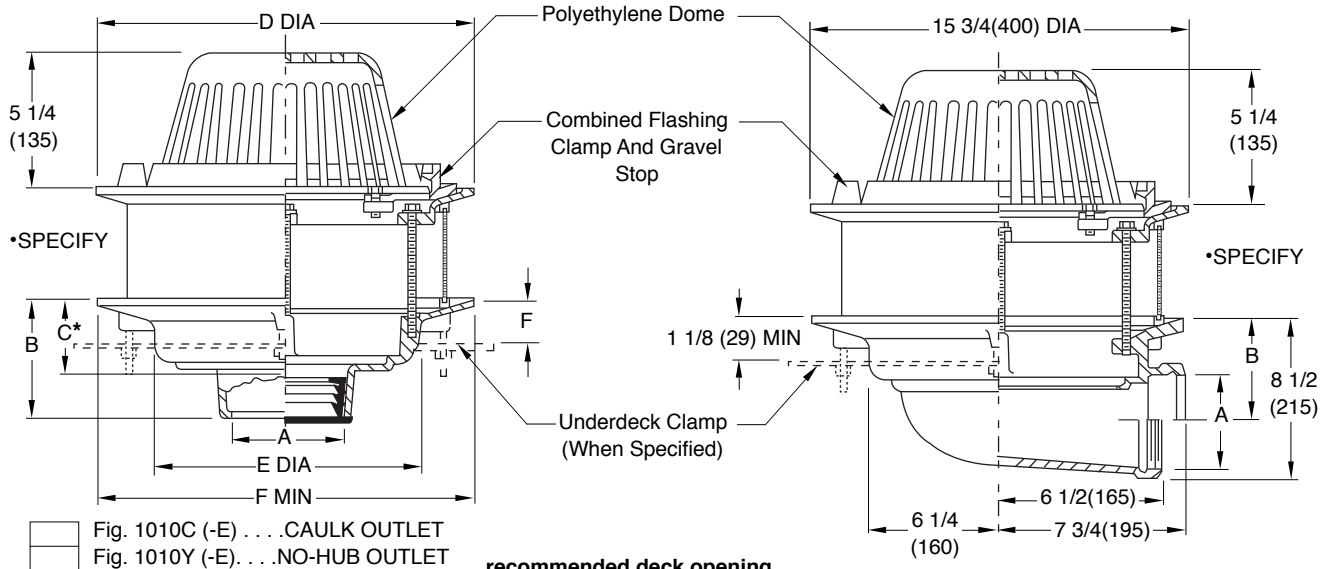
ASPE **ODI**
 MEMBER OF: **ASSE**

LOCATION

GENERAL PURPOSE ROOF DRAINS WITH EXTENSIONS

LOW PROFILE DOME

FUNCTION: Used in flat roofs of any construction. Large low profile dome provides sufficient free area for quick drainage of rain water and protects the drain sump and connected piping from the intrusion of debris. Wide clamping surface holds flashing and roofing materials without puncturing.



- Fig. 1010C (-E) . . . CAULK OUTLET
- Fig. 1010Y (-E) . . . NO-HUB OUTLET

recommended deck opening

outlet size	with suffix-R	less suffix-R
02(50),03(75),04(100)		
05(125),06(150)	16 1/4(415) DIA	14(355) DIA
08(200), 10 (255)	**21(535) DIA	18 3/4(475) DIA

*This Dimension to Internal Stop of Speedi-Set Gasket.
 •Ext. thru 04"(100) size will be cast iron, over 04"(100) will be fabricated stainless steel. (Fab. ss ext. shown)
NOTE: Dimensions shown in parentheses are in millimeters.

**NOTE: Required for regularly furnished 08" (200) & 10 (255) outlet body with 20" (510) DIA flange.

- Fig. 1020C (-E) . . . CAULK OUTLET
- Fig. 1020T (-E) . . . THREADED OUTLET

(SIDE OUTLET)

A SIZE	02(50)	03(75)	04(100)	05(125)	06(150)
B	6 1/2 (165)	6 (150)	5 1/2 (140)	5 (125)	4 1/2 (115)

A SIZE	CAULK, NO-HUB, & SPEEDI-SET	THREADED	C	D DIA	E DIA	F MIN	FREE AREA SQ IN (SQ CM)
02(50),03(75),04(100) 05(125),06(150)	5(125)	3 3/4(95)	3 3/4(95)	15 1/4(390)	11(280)	1 1/8(29)	102.5(661)
08(200),10(255)	7 3/4(195)	7 3/4(195)	--	20(510)	16(405)	1 5/8(41)	228(1471)

REGULARLY FURNISHED:

Duco Cast Iron Body, with Extension, Combined Flashing Clamp and Gravel Stop and Polyethylene Dome.

VARIATIONS:

- Expansion Joint (Specify Fig.1710) (Fig. 1010 only)
- "L" Shaped Underdeck Clamp -CL
- L Speedi-Set Service Weight
02(50), 03(80), and 04"(100) sizes only (Fig. 1010 only)
- LXH Speedi-Set Extra Heavy
02(50), 03(80), and 04"(100) sizes only (Fig. 1010 only)
- NO-HUB Adaptor (Specify Fig. 2646Y) (Fig. 1020 only)
- Secondary Flashing Clamp -C2
- Sump Receiver -R
- Underdeck Clamp -C
- Vandal Proof Dome -U
- T Threaded Outlet

OPTIONAL MATERIALS:

- All Aluminum -AA (Fig. 1010 only)
- ▲ Aluminum Dome -AD
- ▲ Cast Iron Dome -CID
- Galvanized Cast Iron -G
- ▲ Rough Bronze Dome -RBD
- Stainless Steel (Specify Fig. 9780)

▲ Optional domes' free area are as follows:

Dome Mat'l	02-06 Outlets	08 & 10 Outlets
Aluminum	98 (632)	150 (968)
Cast Iron	80 (516)	Reg. Furnished
Bronze	95 (613)	150 (968)

DRAWING NUMBER
S1010 (-E)

SIZE
A

SCALE:
NONE

DATE:
5-5-86

APPROVED BY:
CR

CHECKED BY:
TD

DRAWN BY:
CR

1010 (-E), 1020 (-E)

FIGURE NUMBER

REV.	DATE	DESCRIPTION	BY	CKD. BY
G	06/04/09	Added Optional Dome Notes	JJ	CL
F	07/09/07	Revised Free Area	JJ	CL
E	5-4-95	Revised & added millimeters	CMB	BS

WEIGHT POUNDS	VOLUME CUBIC FEET	FIGURE NUMBER
		1010 (-E), 1020 (-E)