

F

**SMITH® JAY R. SMITH MFG. CO.®**  
 MEMBER OF MORRIS GROUP INTERNATIONAL  
 POST OFFICE BOX 3237  
 MONTGOMERY, ALABAMA 36109-0237 (USA)  
 TEL: 334-277-8520 FAX: 888-377-7818 www.jrsmith.com

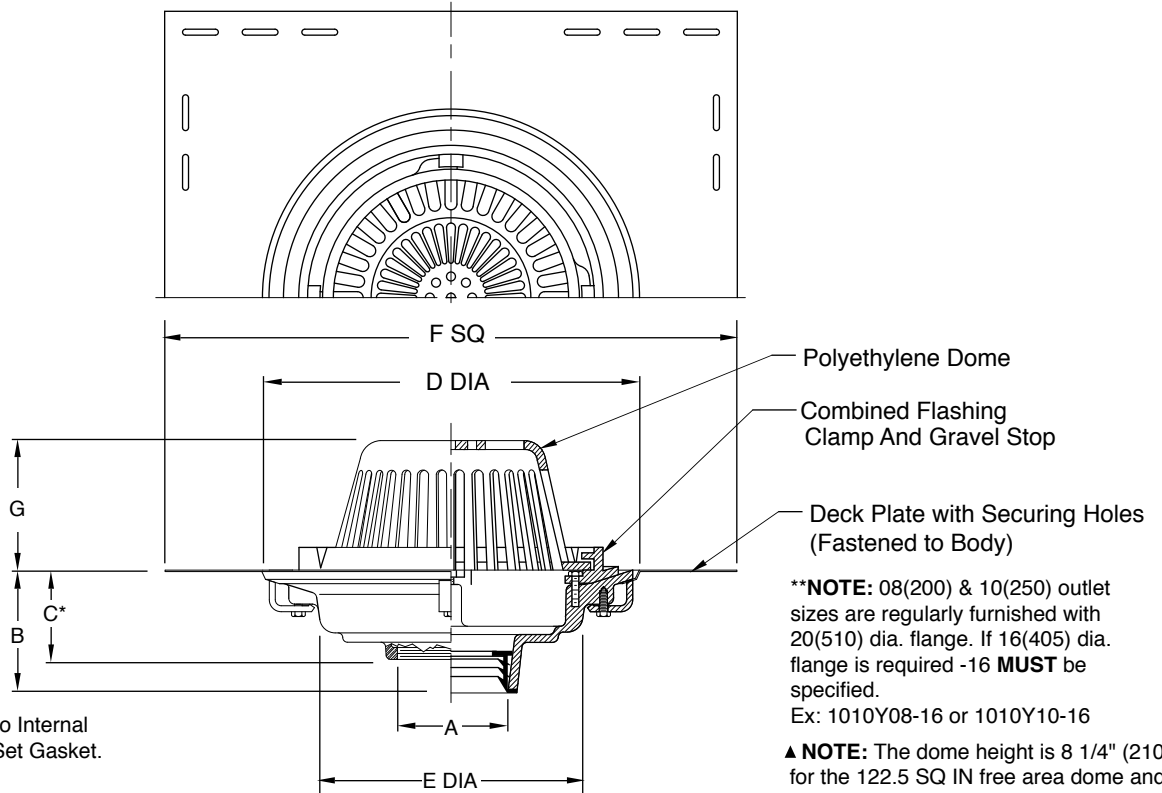


LOCATION

# SPECIAL PURPOSE ROOF DRAIN

## LOW PROFILE DOME WITH DECK PLATE

**FUNCTION:** Used in flat roof of any construction. Large low profile dome provides sufficient free area for quick drainage of rain water and protects the drain sump and connected piping from the intrusion of debris. Attached wide deck plate has securing holes enabling drain to be secured to the roof deck from the top surface of the roof.



**\*\*NOTE:** 08(200) & 10(250) outlet sizes are regularly furnished with 20(510) dia. flange. If 16(405) dia. flange is required -16 **MUST** be specified.  
 Ex: 1010Y08-16 or 1010Y10-16

**▲ NOTE:** The dome height is 8 1/4" (210) for the 122.5 SQ IN free area dome and is regularly furnished in Cast Iron and is not available in polyethylene.

\*This Dimension to Internal Shop of Speedi-Set Gasket.

Fig. 1010Y-RDP..... NO-HUB OUTLET  
 Fig. 1010C-RDP..... CAULK OUTLET

A SIZE	B CAULK, NO-HUB, & SPEEDI-SET	THREADED	C*	D DIA	E DIA	F	G	FREE AREA SQ IN
02(50), 03(75) or 04(100)	5(125)	3 3/4(95)	3 3/4(95)	15 1/4(390)	11(280)	24(610)	5 1/4(133)	102.5(661)
05(125) or 06(150)	5(125)	3 3/4(95)	--	15 1/4(390)	11(280)	24(610)	5 1/4(133)	102.5(661)
**08(200)-16,	6	5	--	16	12 1/2	24	5 1/4(133)	102.5 (661)
**10(250)-16	(150)	(125)	--	(405)	(320)	(610)	8 1/4(210)	▲122.5 (790)
08(200), 10(250), or 12 (300)	7 3/4(195)	7 3/4(195)	--	20(510)	16(405)	28(711)	7 1/4(185)	228(1471)

**REGULARLY FURNISHED:**

Duco Cast Iron Body with attached Deck Plate with Securing Holes, combined Flashing Clamp and Gravel Stop with Polyethylene Dome.

**VARIATIONS:**

- L Speedi-Set Service Weight Outlet Conn. (02, 03, and 04) Sizes Only
- LXH Speedi-Set Extra Heavy Duty Outlet Conn. (02, 03, and 04) Sizes Only
- T Threaded Outlet Conn.
- Extension (Specify Height) -E
- Secondary Flashing Clamp -C2
- Vandal Proof Dome -U

**OPTIONAL MATERIALS:**

- ▲▲  Aluminum Dome -AD
- ▲▲  Cast Iron Dome -CID
- ▲▲  Galvanized Cast Iron Dome -CIDG
- ▲▲  Galvanized Cast Iron Body & Collar -G
- ▲▲  Rough Bronze Dome -RBD
- ▲▲  Stainless Steel (Specify Fig. 9780)

▲▲ Optional Domes' free area are as follows:

Dome Mat'l	02-06 Outlets	08 & 10 Outlets
Aluminum	98 (632)	150 (968)
Cast Iron	80 (516)	Reg. Furnished
Bronze	95 (613)	150 (968)

**NOTE:** Dimensions shown in parentheses are in millimeters.

DRAWING NUMBER: 1010-RDP  
 SIZE: A  
 SCALE: NONE  
 DATE: 02-10-2006  
 APPROVED BY: CR  
 CHECKED BY: CR  
 DRAWN BY: CR  
 DIMENSIONS ARE SUBJECT TO MANUFACTURERS TOLERANCE AND CHANGE WITHOUT NOTICE  
 WE CAN ASSUME NO RESPONSIBILITY FOR USE OF SUPERSEDED OR VOID DATA

**1010-RDP**

F	1-19-22	Added Notes, Revised Table Rev. Opt. Mat., Added Dimensions Removed NOTE Added Flow Rate Note	KK	CL	WEIGHT POUNDS	VOLUME CUBIC FEET	FIGURE NUMBER <b>1010-RDP</b>
E	9-6-19		MW	CL			
D	7-30-19		MW	CL			
C	8-3-15		TBW	BW			
REV.	DATE	DESCRIPTION	BY	CKD. BY			