



**JAY R. SMITH MFG. CO.**  
 MEMBER OF MORRIS GROUP INTERNATIONAL  
 POST OFFICE BOX 3237  
 MONTGOMERY, ALABAMA 36109-0237 (USA)  
 TEL: 334-277-8520 FAX: 334-272-7396 www.jrsmith.com



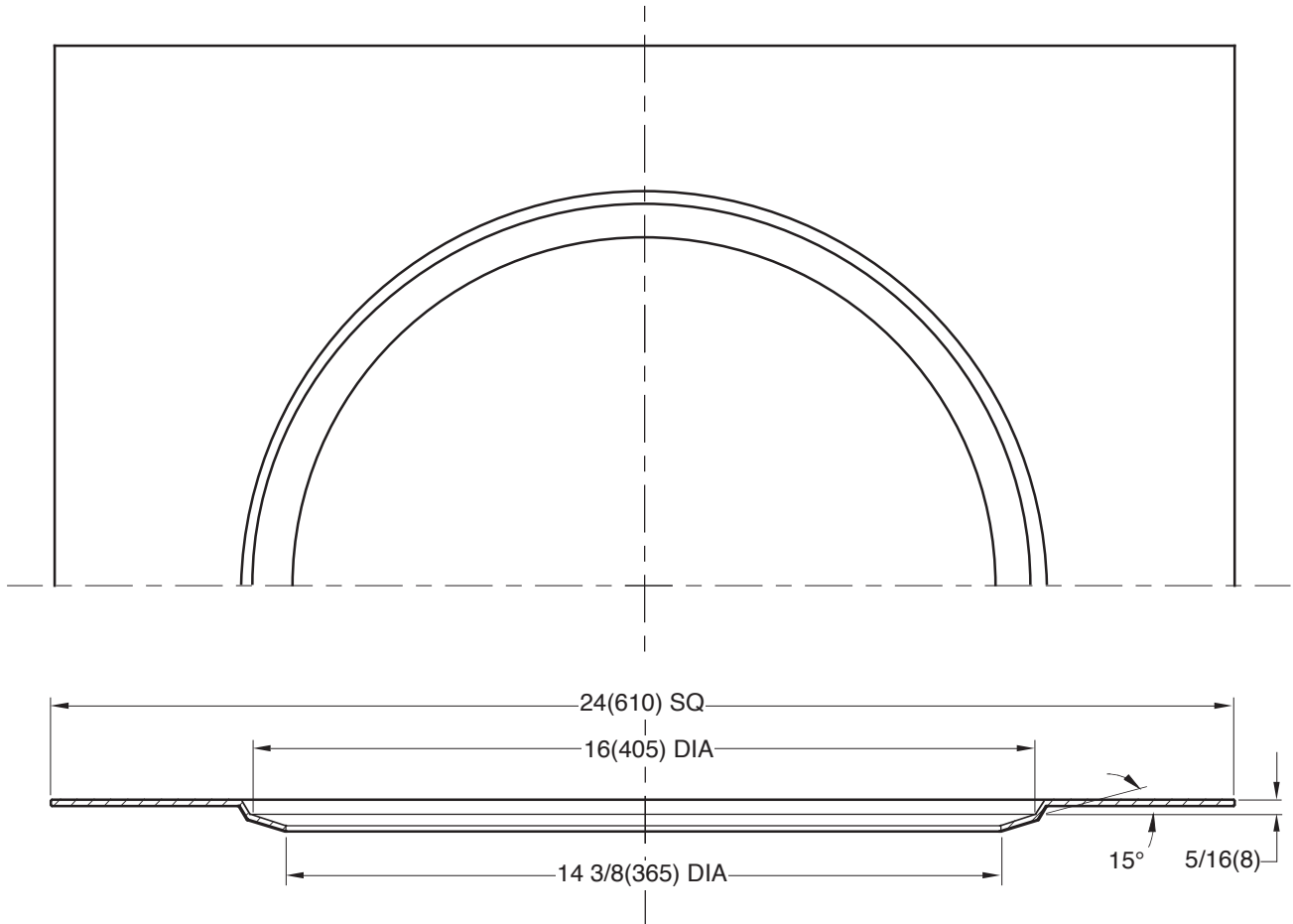
MEMBER OF:



LOCATION

# SUMP RECEIVER PLATE

Half View Shown



**REGULARLY FURNISHED:**  
 18 GA Galvanized Sheet Steel.  
 Part No. 71478-86-6

**VARIATIONS:**  
 Type 304 Stainless Steel (18 GA)  
 Part No. 71478-80-6

**Note:** Dimensions shown in parentheses are in millimeters.

**1010 (-R)**

DRAWING NUMBER  
**S1010 (-R)**

SIZE  
**A**

SCALE:  
**NONE**

DATE:  
**2-1-88**

APPROVED BY:  
**TD**

CHECKED BY:  
**BS**

DRAWN BY:  
**VGD**

WE CAN ASSUME NO RESPONSIBILITY FOR USE OF SUPERSEDED OR VOID DATA

DIMENSIONS ARE SUBJECT TO MANUFACTURERS TOLERANCE AND CHANGE WITHOUT NOTICE

<b>A</b>	<b>5-16-95</b>	<b>Submittal Update</b>	<b>TBW</b>	<b>BS</b>
REV.	DATE	DESCRIPTION	BY	CKD. BY

WEIGHT POUNDS	VOLUME CUBIC FEET

**FIGURE NUMBER**  
**1010 (-R)**