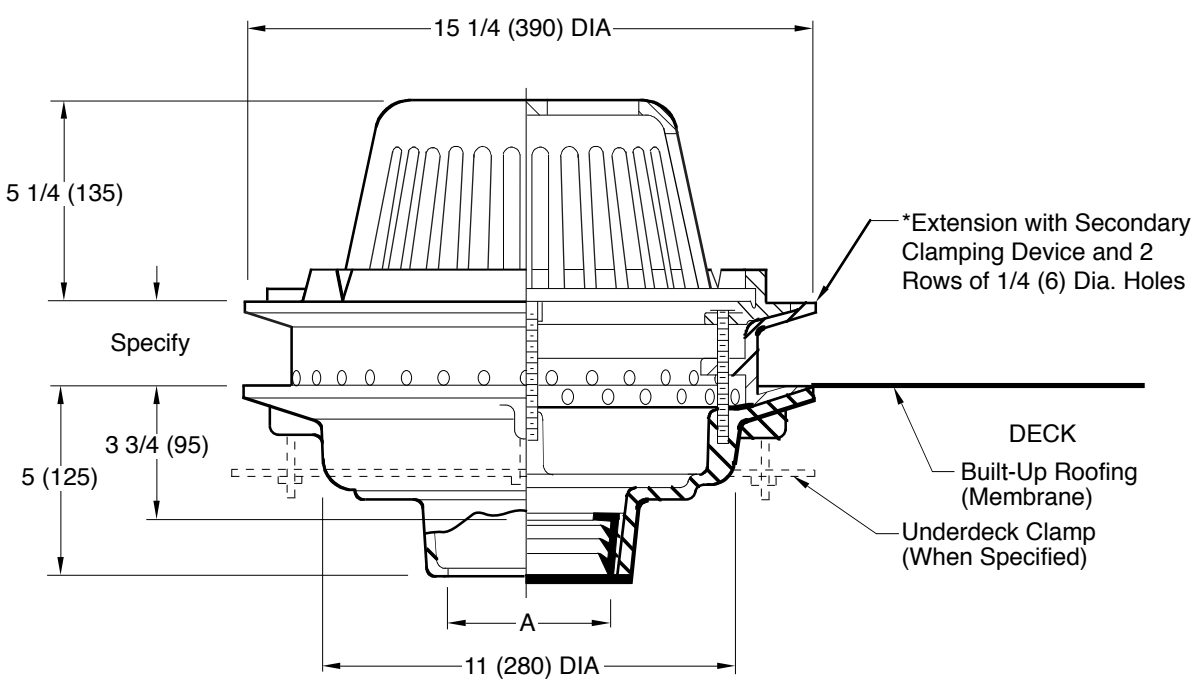


ROOF DRAINS

FOR INSULATED "BUILT-UP" MEMBRANE ROOFS



A (Pipe Size) = 02 (50), 03 (75), 04 (100), 05 (125) or 06 (150)

- Fig. 1010C (-E-W) CAULK OUTLET
- Fig. 1010Y (-E-W) NO-HUB OUTLET

recommended deck opening

with suffix -R	17 (430) DIA
less suffix -R	14 (355) DIA

*Ext. thru 4" (100) size will be C.I.,
 over 4" (100) will be fabricated
 stainless steel. (C.I. ext. shown)

REGULARLY FURNISHED:
 Duco Cast Iron Body, Extension
 with Secondary Clamping Device
 and 2 Rows of 1/4 (6) Dia. Holes,
 Combined Flashing Clamp and
 Gravel Stop and Polyethylene Dome.

- VARIATIONS:**
- Vandal Proof Dome -U
 - Sump Receiver -R
 - Underdeck Clamp -C
 - T Threaded Outlet

- VARIATIONS:**
- ▲ Bronze Dome -RBD
 - ▲ Cast Iron Dome -CID
 - ▲ Galvanized Cast Iron -G
 - ▲ Aluminum Dome -AD

▲Optional domes' free
 area are as follows:
 Aluminum 98 (632)
 Cast Iron 80 (516)
 Bronze 95 (613)

NOTE: Dimensions shown in
 parentheses are in millimeters.

1010 (-E-W)
 DRAWING NUMBER S1010 (-E-W)
 SIZE A
 SCALE: NONE
 DATE: 02/12/08
 APPROVED BY: CL
 CHECKED BY: CL
 DRAWN BY: JJ
 DIMENSIONS ARE SUBJECT TO MANUFACTURERS TOLERANCE AND CHANGE WITHOUT NOTICE
 WE CAN ASSUME NO RESPONSIBILITY FOR USE OF SUPERSEDED OR VOID DATA

FIGURE NUMBER	C B A	7-30-19 8-3-15 06/01/09	Removed NOTE Added Flow Rate Note Added Optional Dome Notes	MW TBW JJ	CL BW CL	WEIGHT POUNDS	VOLUME CUBIC FEET	FIGURE NUMBER 1010 (-E-W)
REV.	DATE	DESCRIPTION	BY	CKD. BY				