

DRAWING NUMBER
s1010-DEP

SIZE
A

SCALE:
NONE

DATE:
8-11-2020

APPROVED BY:
CL

CHECKED BY:
CL

DRAWN BY:
MW

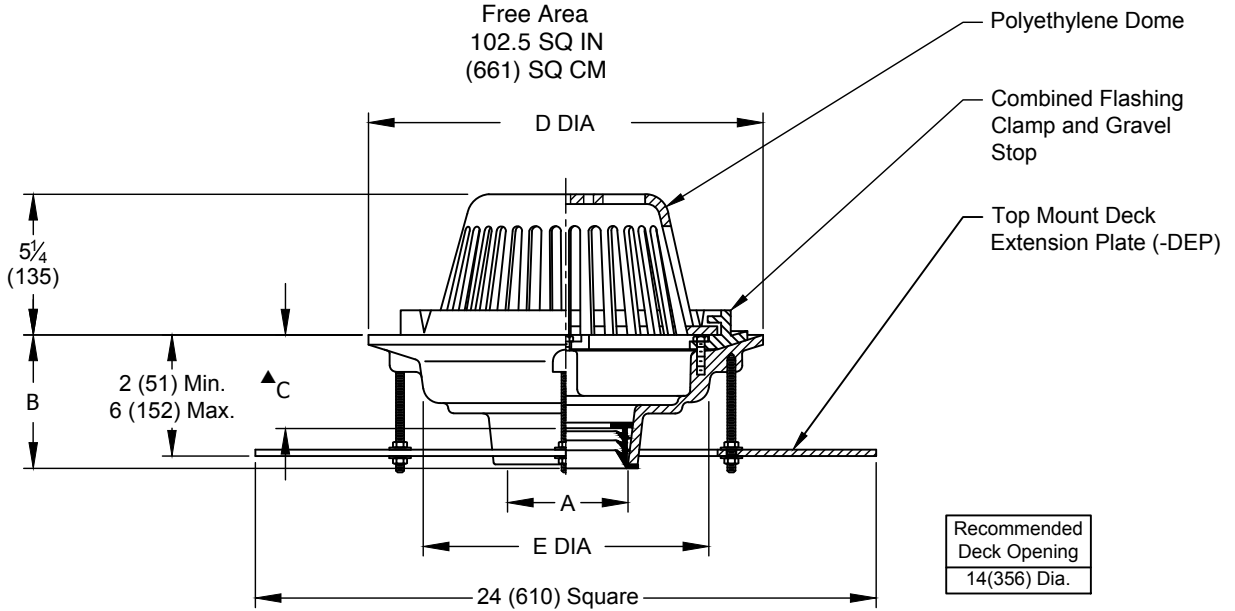
FIGURE NUMBER
1010-DEP

WE CAN ASSUME NO RESPONSIBILITY FOR USE OF SUPERSEDED OR VOID DATA

DIMENSIONS ARE SUBJECT TO MANUFACTURERS TOLERANCE AND CHANGE WITHOUT NOTICE

GENERAL PURPOSE ROOF DRAIN

15 1/4(387) DIAMETER - LOW PROFILE DOME



A (PIPE SIZE)	B (BODY HEIGHT)		▲ C	D DIA.	E DIA.	FREE AREA SQ. IN. (SQ CM)
	CAULK, NO-HUB, & SPEEDI-SET	THREADED				
02(50), 03(75), 04(100)	5(125)	3 3/4(95)	3 3/4(95)	15 1/4(390)	11(280)	102.5 (661)
05(125), 06(150)	5(125)	3 3/4(95)	--	15 1/4(390)	11(280)	102.5 (661)
08(200)-16	6(150)	5(125)	--	16(405)	12 1/2 (320)	102.5 (661)
**10(250)-16						**122.5 (790)

▲ This dimension to internal stop for Speedi-Set gasket.
 ** For 10(250)-16 outlet drain the dome height is 8 1/4(210) and is regularly furnished in cast iron and is not available in polyethylene.

- Fig. 1010C-DEP.CAULK OUTLET
- Fig. 1010T-DEP.THREADED OUTLET
- Fig. 1010Y-DEP.NO-HUB OUTLET

REGULARLY FURNISHED:
 Duco Cast Iron body with Top Mount Deck Extension Plate, Combined Flashing Clamp and Gravel Stop with Polyethylene Dome.

- VARIATIONS:**
- L Speedi-Set Service Weight Outlet Conn. (02(50), 03(75), and 04(100) Sizes Only)
 - LXH Speedi-Set Extra Heavy Outlet Conn. (02(50), 03(75) and 04(100) Sizes Only)
 - Vandal Proof Dome -U

- OPTIONAL MATERIALS:**
- *Aluminum Dome -AD
 - *Cast Iron Dome -CID
 - *Galvanized Cast Iron Dome -CIDG
 - Galvanized Cast Iron Body & Collar -G
 - *Rough Bronze Dome -RBD

*** Optional Domes' free area are as follows:**
 Aluminum 98(632)
 Cast Iron 80(516)
 Bronze 95(613)

NOTE: Dimensions shown in parentheses are in millimeters

REV.	DATE	DESCRIPTION	BY	CKD. BY	WEIGHT POUNDS	VOLUME CUBIC FEET	FIGURE NUMBER 1010-DEP
------	------	-------------	----	---------	---------------	-------------------	----------------------------------