

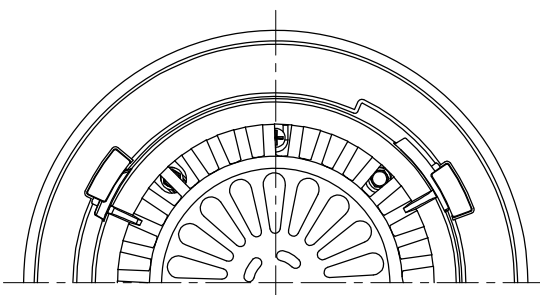
# SIPHONIC ROOF DRAIN

15 1/4"(390) DIAMETER - LOW PROFILE DOME WITH WATER DAM

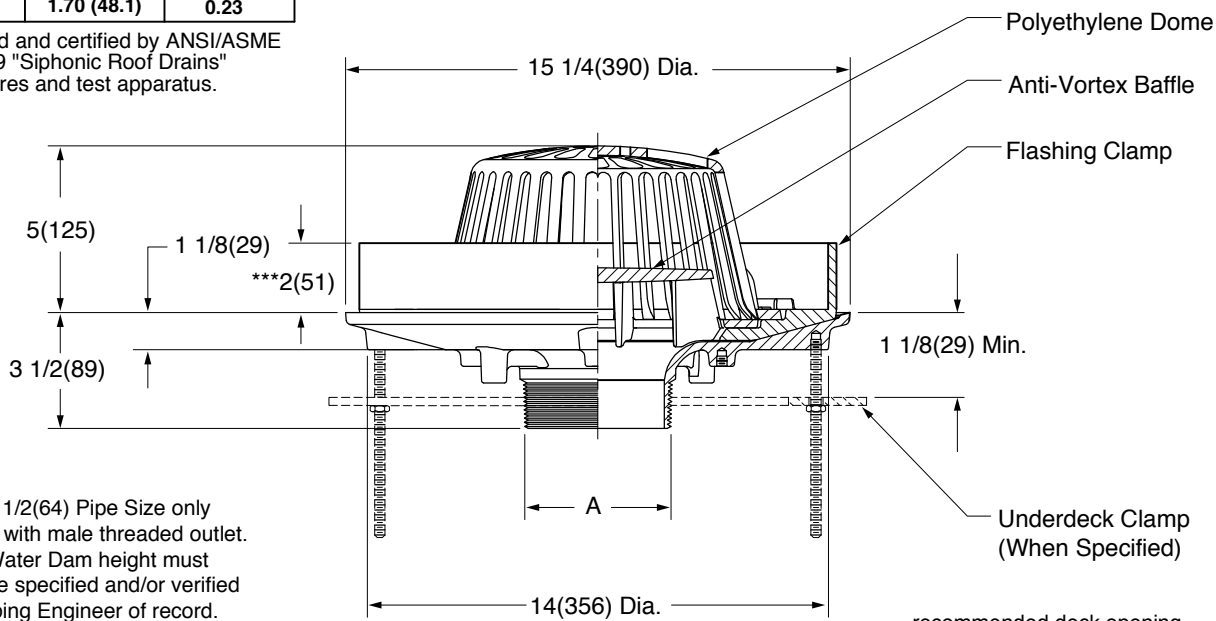
**FUNCTION:** Used in flat roofs of any construction as an overflow drain. Internal anti-vortex baffle creates siphonic drainage action producing more efficient drainage than conventional roof drains.

**Performance Data		
A(Pipe Size) in. (mm)	Max. Capacity cfs (lps)	Resistance Value, K
02 (50)	0.50 (41.2)	0.13
0250 (64)	0.60 (17.0)	0.13
03 (75)	1.40 (39.5)	0.16
04 (100)	1.70 (48.1)	0.23

\*\*As tested and certified by ANSI/ASME A112.6.9 "Siphonic Roof Drains" Procedures and test apparatus.



Free Area  
102.5 Sq. In.  
(661) Sq. Cm.



\*NOTE: 2 1/2(64) Pipe Size only available with male threaded outlet.

\*\*\*NOTE: Water Dam height must always be specified and/or verified by Plumbing Engineer of record.

A(Pipe Size) = 02(50), \*0250(64), 03(75) or 04(100)

recommended deck opening	
with suffix -R	17 (430) DIA
less suffix -R	14 (355) DIA

- Fig. 1005T (-WD2) ..... MALE THREADED OUTLET
- Fig. 1005Y(-WD2) ..... \*NO HUB OUTLET

**REGULARLY FURNISHED:**  
 Duco Cast Iron Body, Flashing Clamp with 2" High Water Dam, Anti-Vortex Baffle and Polyethylene Dome.

- VARIATIONS:**
- Sump Receiver -R
  - Underdeck Clamp -C
  - Underdeck Clamp for 10" Deck Opening -C10"
  - "L" Shaped Underdeck Clamp -CL
  - Vandal Proof Dome -U

- OPTIONAL MATERIALS:**
- Aluminum Dome -AD
  - Cast Iron Dome -CID
  - Galvanized Cast Iron Dome -CIDG
  - Galvanized Cast Iron Body & Collar -G
  - Rough Bronze Dome -RBD

NOTE: Dimensions shown in parentheses are in millimeters.

DRAWING NUMBER  
S1005-WD2

SIZE  
A

SCALE:  
NONE

DATE:  
7-16-14

APPROVED BY:  
CR

CHECKED BY:  
CR

DRAWN BY:  
TBW

1005(-WD2)

FIGURE NUMBER

WE CAN ASSUME NO RESPONSIBILITY FOR USE OF SUPERSEDED OR VOID DATA

DIMENSIONS ARE SUBJECT TO MANUFACTURERS TOLERANCE AND CHANGE WITHOUT NOTICE

REV.	DATE	DESCRIPTION	BY	CKD. BY
A	7-27-15	Revised Function, added ***Note	TBW	JM

WEIGHT POUNDS	VOLUME CUBIC FEET

FIGURE NUMBER  
**1005(-WD2)**