

SIPHONIC ROOF DRAIN

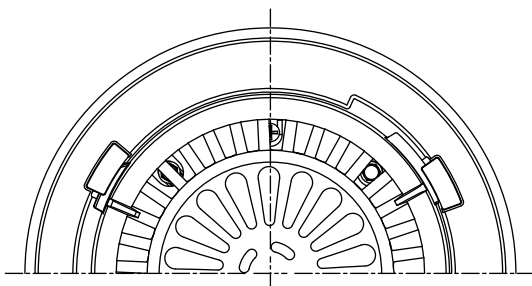
15 1/4"(390) DIAMETER - LOW PROFILE DOME

FUNCTION: For use in engineered siphonic roof drainage system. May be used in flat roof of any construction. Large low profile dome provides sufficient free area for quick drainage of rain water and protects the drain sump, baffle and connected piping from the intrusion of debris. Internal air baffle creates siphonic drainage action producing more efficient drainage than traditional roof drains.

****Performance Data**

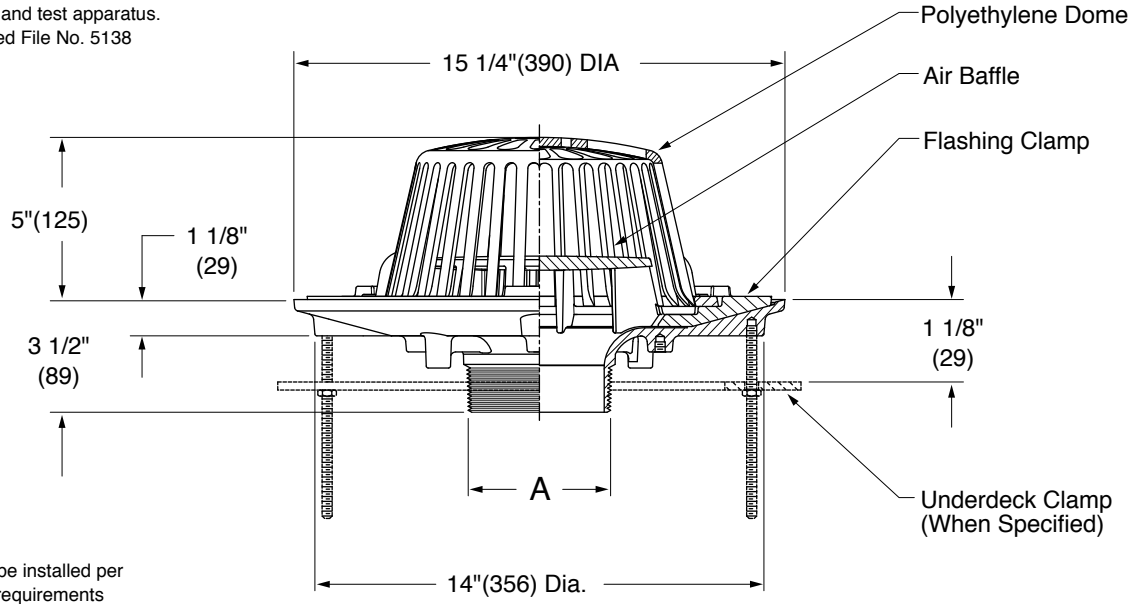
A(Pipe Size) in. (mm)	Max. Capacity cfs (lps)	Resistance Value, K
02 (50)	0.50 (41.2)	0.13
0250 (64)	0.60 (17.0)	0.13
03 (75)	1.40 (39.5)	0.16
04 (100)	1.70 (48.1)	0.23

**As tested and certified by ANSI/ASME
 A112.6.9 "Siphonic Roof Drains"
 Procedures and test apparatus.
 IAPMO Listed File No. 5138



Free Area
 102.5 Sq. In.
 (661) Sq. Cm.

▲ **Optional domes' free area are as follows:**
 Aluminum 98 (632)
 Cast Iron 80 (516)
 Bronze 95 (613)



NOTES:

1. Drain shall be installed per local code requirements
- *2. 2 1/2" pipe size only available with male threaded outlet.
3. Dimensions shown in parentheses are in millimeters.

A(Pipe Size) = 02(50), *0250(64), 03(75) or 04(100)

recommended deck opening

with suffix -R	17 (430) DIA
less suffix -R	14 (355) DIA

- Fig. 1005T MALE THREADED OUTLET
- Fig. 1005Y *NO HUB OUTLET

REGULARLY FURNISHED:

Duco Cast Iron Body, Flashing Clamp, Air Baffle and Polyethylene Dome.

VARIATIONS:

- Sump Receiver -R
- Underdeck Clamp -C
- Underdeck Clamp for 10" Deck Opening -C10
- "L" Shaped Underdeck Clamp -CL
- Vandal Proof Dome -U

OPTIONAL MATERIALS:

- ▲ Aluminum Dome -AD
- ▲ Cast Iron Dome -CID
- ▲ Galvanized Cast Iron Dome -CIDG
- ▲ Galvanized Cast Iron -G
- ▲ Rough Bronze Dome -RBD

DRAWING NUMBER S1005
 SIZE A
 SCALE: NONE
 DATE: 4-14-06
 APPROVED BY: CR
 CHECKED BY: CR
 DRAWN BY: RN
 DIMENSIONS ARE SUBJECT TO MANUFACTURERS TOLERANCE AND CHANGE WITHOUT NOTICE
 1005

REV.	DATE	DESCRIPTION	BY	CKD. BY	WEIGHT POUNDS	VOLUME CUBIC FEET	FIGURE NUMBER
	06/01/09 5-21-07 5-10-06	Added Optional Dome Notes Added Notes Added Notes	JJ RN TBW	CL CL CL			1005