

HEAVY DUTY SINK SUPPORTS

FLOOR MOUNTED WITH ACID RESISTANT COATED EXPOSED ARMS & "PRO-SET" UPRIGHTS

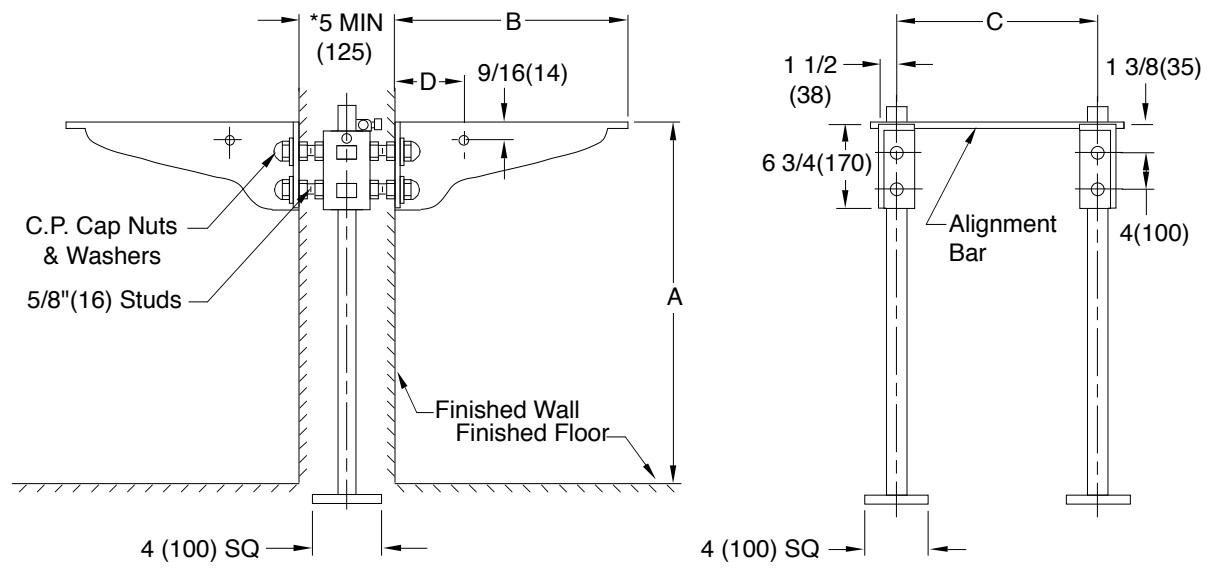
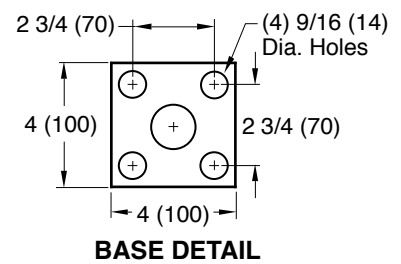


Fig. 0871D . . . FOR BACK TO BACK SUPPORT

*This dimension can be increased when fixture support is to be installed behind the wall (specify when required and wall thickness).

NOTE: For extra heavy duty support with 1 1/2(38) pipe uprights, add Suffix "X" to Fig. No.



ROUGHING-IN TABLE

FIXTURE NAME	NUMBER	SIZE	A	B	C	D

NOTE: The rough-in dimensions listed on this drawing are based on current information available to Jay R. Smith by the fixture manufacturers. We recommend that you verify these dimensions with the fixture manufacturer. We will not accept responsibility for rough-in dimension changes by the fixture manufacturer.

0871D

FIGURE NUMBER	L K J	9-23-10 01/19/00 8-18-93	Replace Base Detail / added @ Revised Base Plate Submittal Update	RN JJ EMB	CL BS	WEIGHT POUNDS	VOLUME CUBIC FEET	FIGURE NUMBER 0871D
REV.	DATE	DESCRIPTION	BY	CKD. BY				

DRAWING NUMBER S0871D (B) SIZE A SCALE: NONE DATE: 5-12-64 APPROVED BY: RP CHECKED BY: SL DRAWN BY: SL WE CAN ASSUME NO RESPONSIBILITY FOR USE OF SUPERSEDED OR VOID DATA DIMENSIONS ARE SUBJECT TO MANUFACTURERS TOLERANCE AND CHANGE WITHOUT NOTICE