

D

SMITH® JAY R. SMITH MFG. CO.®
 MEMBER OF MORRIS GROUP INTERNATIONAL
 POST OFFICE BOX 3237
 MONTGOMERY, ALABAMA 36109-0237 (USA)
 TEL: 334-277-8520 FAX: 334-272-7396 www.jrsmith.com

ASPE **PDP** **ASSP**
 MEMBER OF:

LOCATION

DRAWING NUMBER
S0870D (B)

SIZE
A

SCALE:
NONE

DATE:
7-23-82

APPROVED BY:
TD

CHECKED BY:
JM

DRAWN BY:
KG

0870D

FIGURE NUMBER

WE CAN ASSUME NO RESPONSIBILITY FOR USE OF SUPERSEDED OR VOID DATA
DIMENSIONS ARE SUBJECT TO MANUFACTURERS TOLERANCE AND CHANGE WITHOUT NOTICE

HEAVY DUTY SINK SUPPORTS

FLOOR MOUNTED WITH ACID RESISTANT COATED EXPOSED ARMS & "PRO-SET" UPRIGHTS

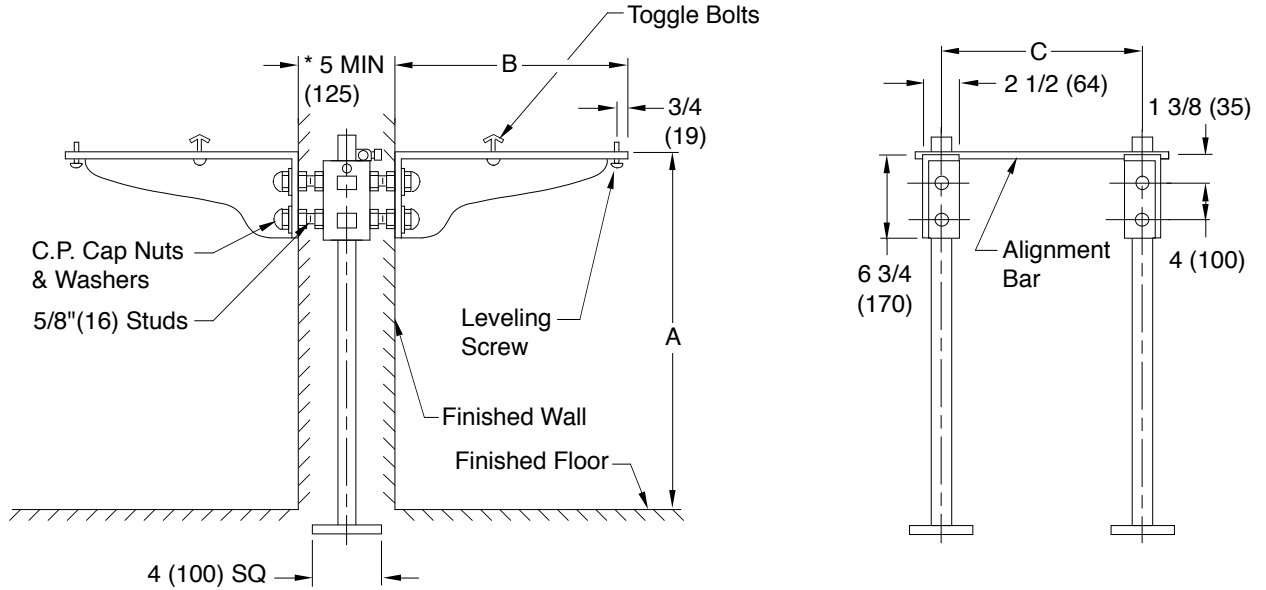
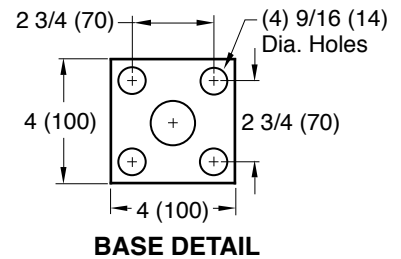


Fig. 0870D . . . FOR BACK TO BACK SUPPORT



ROUGHING-IN TABLE

FIXTURE NAME	NUMBER	SIZE	A	B	C

Δ This dimension can be increased when fixture support is to be installed behind the wall (specify when required and wall thickness).

NOTE: The rough-in dimensions listed on this drawing are based on current information available to Jay R. Smith by the fixture manufacturers. We recommend that you verify these dimension with the fixture manufacturer. We will not accept responsibility for rough-in dimension changes by the fixture manufacturer.

NOTE: Dimensions shown in parenthesis are in millimeters.

D	9-23-10	Replace Base Detail / added ®	RN	CL	WEIGHT POUNDS	VOLUME CUBIC FEET	FIGURE NUMBER 0870D
C	01/19/00	Revised Base Plate	JJ	BS			
B	4-24-95	Added millimeters	CMB	BS			
A	8-18-93	Submittal Update	EMB	BS			
REV.	DATE	DESCRIPTION	BY	CKD. BY			