

B

SMITH® JAY R. SMITH MFG. CO.®
 MEMBER OF MORRIS GROUP INTERNATIONAL
 POST OFFICE BOX 3237
 MONTGOMERY, ALABAMA 36109-0237 (USA)
 TEL: 334-277-8520 FAX: 334-272-7396 www.jrsmith.com



MEMBER OF:

LOCATION

LAVATORY SUPPORTS

WALL MOUNTED

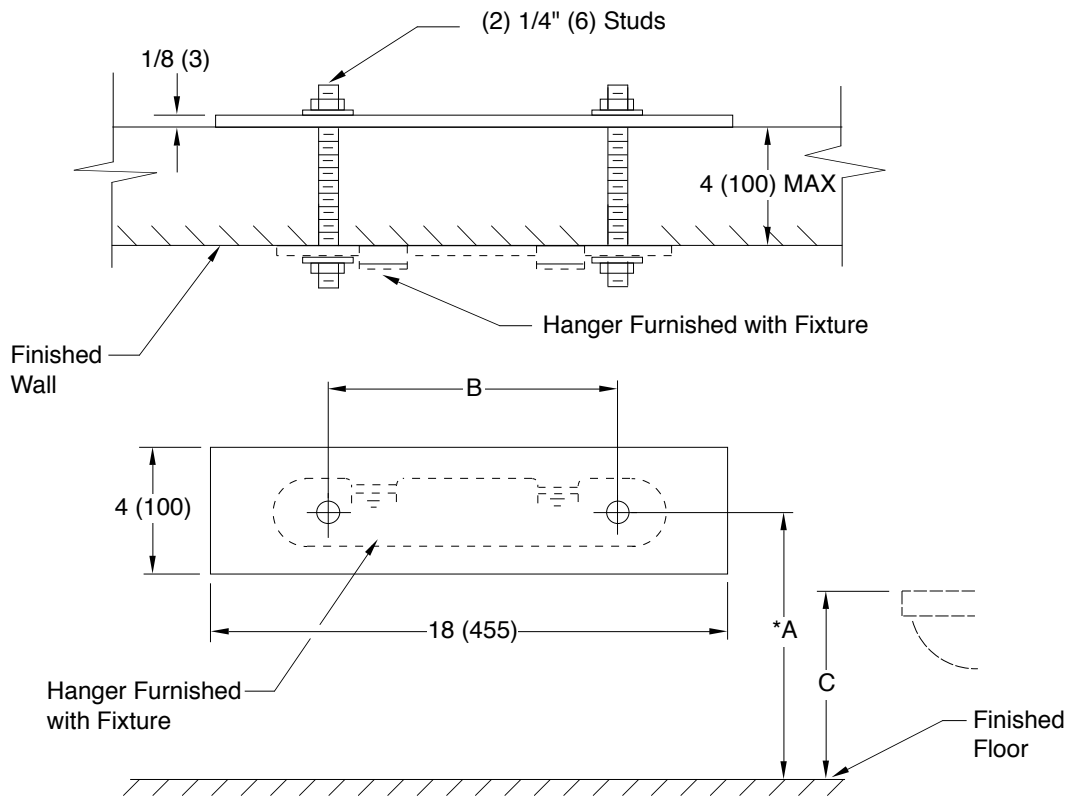


Fig. 0826 . . . SINGLE REINFORCING PLATE FOR HIGH BACK LAVATORIES WITH CONCEALED HANGER.

***NOTE:** This dimension is based on a rim to finish floor height of 31" (785).

ROUGHING-IN TABLE

FIXTURE NAME	NUMBER	SIZE	A	B	C

NOTE: The rough-in dimensions listed on this drawing are based on current information available to Jay R. Smith by the fixture manufacturers. We recommend that you verify these dimensions with the fixture manufacturer. We will not accept responsibility for rough-in dimension changes by the fixture manufacturer.

NOTE: Dimensions shown in parentheses are in millimeters.

DRAWING NUMBER
S0826 (B)

SIZE
A

SCALE:
NONE

DATE:
12-18-85

APPROVED BY:
SJM

CHECKED BY:
JD

DRAWN BY:
JD

0826

DIMENSIONS ARE SUBJECT TO MANUFACTURERS TOLERANCE AND CHANGE WITHOUT NOTICE

FIGURE NUMBER	B A	4-3-97 8-17-93	Added Millimeters Submittal Update	EMB EMB	BS BS	WEIGHT POUNDS	VOLUME CUBIC FEET	FIGURE NUMBER 0826
REV.	DATE	DESCRIPTION	BY	CKD. BY				